



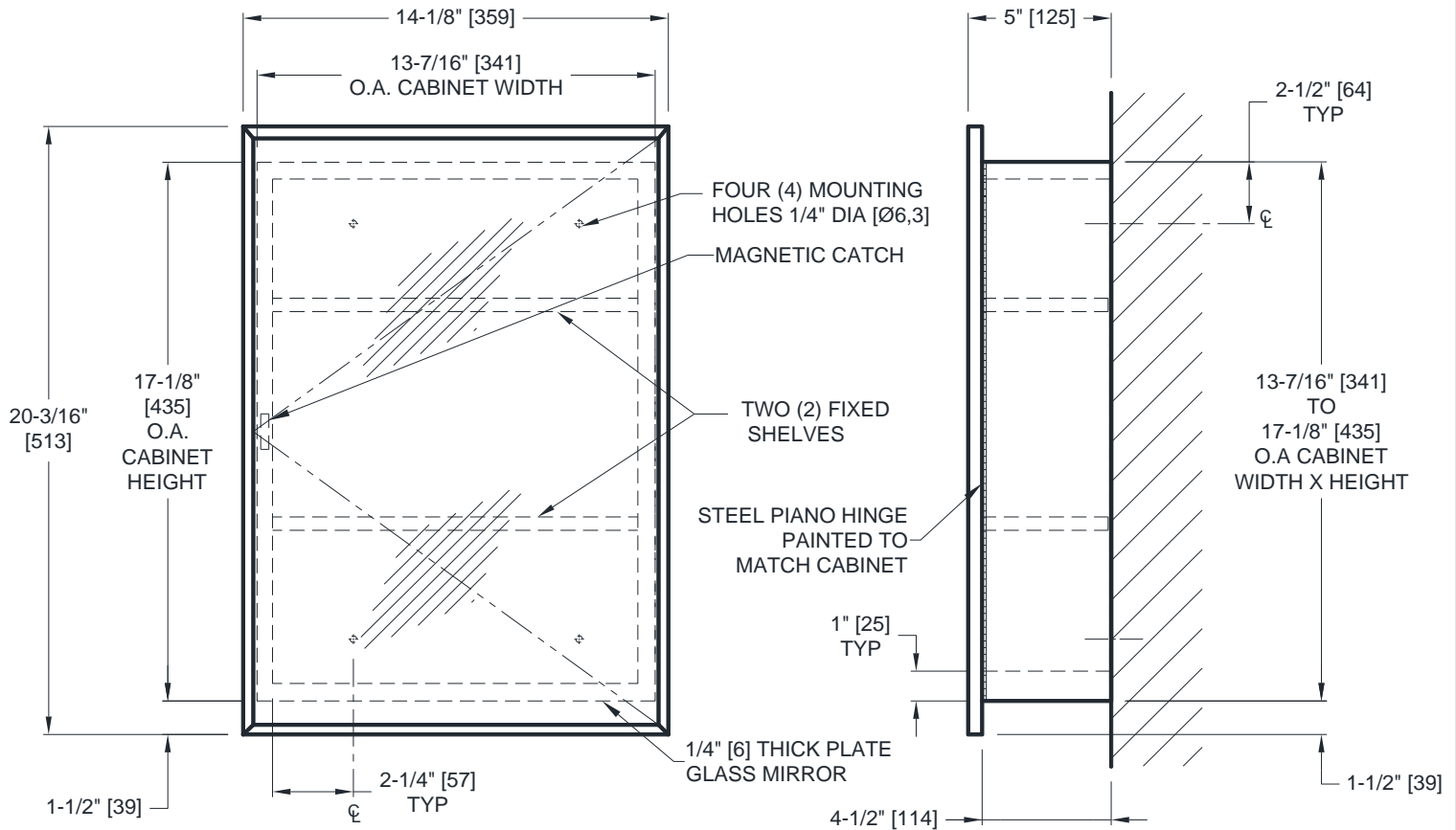
**AMERICAN SPECIALTIES, INC.**  
 441 Saw Mill River Road, Yonkers, NY 10701  
 (914) 476.9000 • (914) 476.0688  
 www.americanspecialties.com

**MODEL №:** 8338

**ISSUED:** 01-87

**REVISED:** 15 APR 2019

**SURFACE MOUNTED MEDICINE CABINET WITH MIRRORED SWING DOOR**



**FRONT VIEW**

**SIDE VIEW**

**NOTE:**

ALL DIM'S INCH [MM]

ILLUSTRATION FOR REF ONLY AND NTS

FOR CLEANING INSTRUCTIONS SEE APPROPRIATE SECTIONS IN  
 PRODUCT CARE & MAINTENANCE  
 BULLETIN (PCM) ON ASI WEBSITE

**SPECIFICATION**

Surface Mounted Medicine Cabinet with Mirrored Swing Door shall be one-piece cold rolled steel with a neutral baked enamel finish. Cabinet shall be provided with two (2) removable white baked enamel steel shelves. Mirror glazing shall be N<sup>o</sup> 1 quality 1/4" [6] thick polished float/plate glass and shall be warranted for fifteen (15) years against silver spoilage. Stainless steel door channel shall be hung on full length 3/16" diameter [Ø4,7] heavy duty stainless steel multi-staked piano hinge and shall be held closed by a magnetic. Cabinet shall have two (2) rubber door silencers. Cabinet can be right-handed swing door or left-handed swing door determined by the installation.

**Surface Mounted Medicine Cabinet with Mirrored Swing Door shall be Model № 8338 of American Specialties, Inc., 441 Saw Mill River Road, Yonkers, New York 10701-4913**

**INSTALLATION**

Install unit on wall using four (4) N<sup>o</sup> 10 pan head self-threading screws (by others) through mounting holes provided in cabinet back. For general utility mount unit 46" [1168] above finished floor (AFF) to bottom of unit or 12" [305] above wash basin. For compliance with 2010 ADA Accessibility Standards install unit so that bottom edge of mirror is 40" [1016] MAX AFF.

**OPERATION**

Pull the door to access contents and manually pushes door to engage magnetic catch that holds door shut.