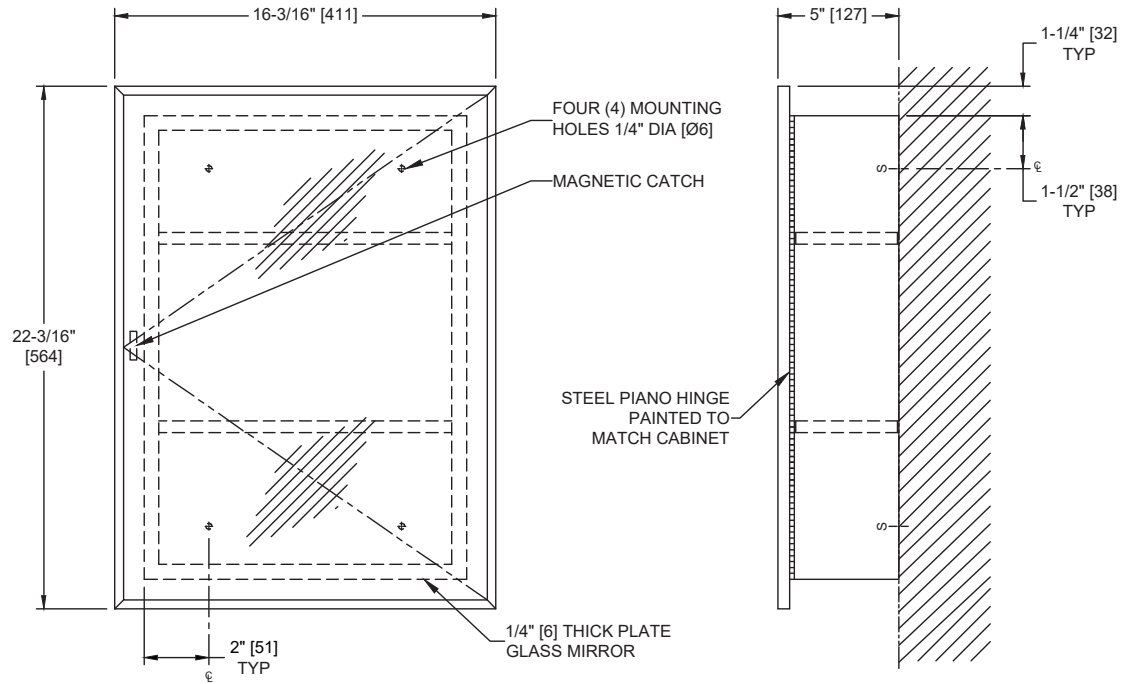


Medicine Cabinet – Surface Mounted, Enameled Steel – 16" [407] w x 22" [560] h

Shower/Tub Accessories

MasterFormat Section 10 28 13



Scan for Information



SUSTAINABILITY/LEED

NOTE:
ALL DIM'S INCH [MM]
ILLUSTRATION FOR REF ONLY AND NTS

PRODUCT OVERVIEW

One-piece, drawn cold rolled steel with white powder coated steel finish. Stainless steel channel framed mirrored door with 1/4" [6] thick plate glass, has continuous piano hinge and magnetic catch. Two adjustable white enamel steel shelves.

KEY FEATURES & SPECIFICATIONS

- Channel framed mirrored door with a Continuous Piano Hinge
- Comes with 2 adjustable shelves
- Enamel Coated Steel
- 1/4" [6] thick plate glass
- Surface Mounted

OPERATION & MAINTENANCE

Pull the door to access contents and manually pushes door to engage magnetic catch that holds door shut. Shelf spacing may be adjusted using internally embossed clip tracks.

TECHNICAL INFORMATION / PRODUCT PROPERTIES

Property	Value
Dimensions	16-3/16" [411] W x 22-3/16" [564] H x 5" [127] D
Construction	Enamel Coated Steel 1/4" [6] thick plate glass
Mounting	Surface Mounted
Materials	<u>Cold Rolled Steel With a Neutral Baked Enamel Finish.</u>

INSTALLATION

Install unit on wall using four (4) #10 pan head self-threading screws (by others) through mounting holes provided in cabinet back. For general utility mount unit 46" [1168] above finished floor (AFF) to bottom of unit or 12" [305] above wash basin. For compliance with 2010 ADA Accessibility Standards install unit so that bottom edge of mirror is 40" [1016] MAX AFF.

ADDITIONAL INFORMATION
WARRANTY

One (1) Year from date of Invoice