

## ASI MODEL 8372/8374 AUTOMATIC ROLL TOWEL MECHANISMS INSTALLATION INSTRUCTIONS

### PLEASE SEE OWNER'S MANUAL (OM) FOR COMPLETE SPECIFICATIONS

Go to [http://americanspecialties.com/wp-content/uploads/8372\\_OM.pdf](http://americanspecialties.com/wp-content/uploads/8372_OM.pdf) to download 8372 OM

Go to [http://americanspecialties.com/wp-content/uploads/8374\\_OM.pdf](http://americanspecialties.com/wp-content/uploads/8374_OM.pdf) to download 8374 OM

### BATTERY OPERATION INSTALLATION

1. Install cabinet as per corresponding cabinet's technical data sheet (TDS). If mechanism is already inside the cabinet, you may need to remove the mechanism first to have better access to the cabinet mounting holes.
2. Open cabinet door.
3. Install/re-install 8372/8374 mechanism with four (4) 1/4-20x3/8 Phillips pan head screws through slots in back of mechanism housing into tapped holes in cabinet back.
4. Make sure the green wire (Fig. 2) is properly connected to back of housing with self-threading screw (by others) sized #10x1/4" Philips Pan Head with internal tooth lock washer (by others). **ATTENTION: NOT PROPERLY ATTACHING THE GREEN WIRE MAY CAUSE THE MECHANISM TO BEHAVE ERRATICALLY WHILE IN USE. MAKE SURE THIS STEP IS COMPLETED.**
5. The battery compartment is located at the front lip of the mechanism (Fig. 1). The cover to the battery compartment is removed by pushing the left hand tab inward and lifting up.
6. Insert four (4) D-size, **alkaline** batteries labeled with an LR-20 designation as shown in the graphics engraved inside the battery compartment.

**DO NOT:**

- Mix different brands
- Use rechargeable batteries
- Mix old with new batteries

Fig. 1

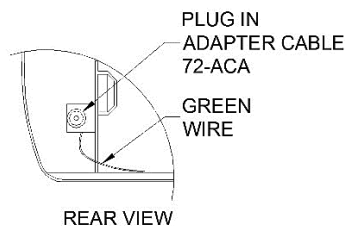
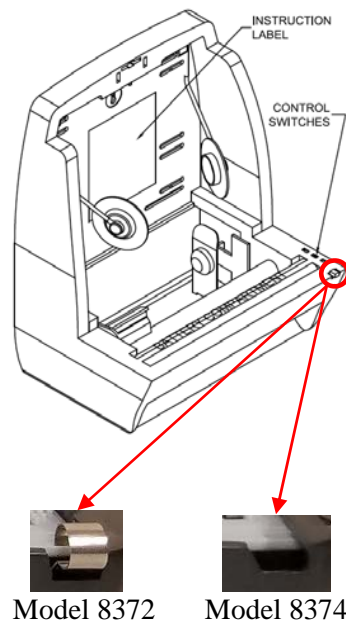


Fig. 2

### AC OPERATION INSTALLATION

**NOTE:** If AC power is desired, a qualified electrician must provide 100~240 VAC, 50/60 Hz to utility duplex box provided or as added for conversion, prior to proceeding with mechanism installation.

1. Install cabinet as per corresponding cabinet's technical data sheet (TDS). If mechanism is already inside the cabinet, you may need to remove the mechanism first to have better access to the cabinet mounting holes and electrical knockout.
2. Open cabinet door.
3. Feed adapter DC plug wire through opening at top of mechanism frame and down side channel.
4. Plug adapter into matching socket located (when viewed from rear) on bottom left hand side of mechanism housing base (Fig. 2).
5. Make sure the green wire (Fig. 2) is properly connected to back of housing with self-threading screw (by others) sized #10x1/4" Philips Pan Head with internal tooth lock washer (by others). **ATTENTION: NOT PROPERLY ATTACHING THE GREEN WIRE MAY CAUSE THE MECHANISM TO BEHAVE ERRATICALLY WHILE IN USE. MAKE SURE THIS STEP IS COMPLETED.**
6. Rest AC adapter inside unit and install/re-install 8372/8374 mechanism with four (4) 1/4-20x3/8 Phillips pan head screws through slots in back of mechanism housing into tapped holes in cabinet and feed excess wire into mechanism housing, leaving just enough to reach outlet to plug in the adapter.
7. Ensure there are **NO BATTERIES** in the battery compartment.
8. Plug AC adapter into powered duplex outlet.