



AMERICAN SPECIALTIES, INC.
441 Saw Mill River Road, Yonkers, NY 10701
(914) 476.9000 • (914) 476.0688
www.americanspecialties.com

MODEL №: 8374

ISSUED: 16 JUN 2017

REVISED: 17 AUG 2020

AUTOMATIC ROLL TOWEL MECHANISM INSTALLATION GUIDE

PLEASE SEE OWNER'S MANUAL (OM) FOR COMPLETE SPECIFICATIONS

Go to http://americanspecialties.com/wp-content/uploads/8374_OM.pdf to download 8374 OM

BATTERY OPERATION INSTALLATION

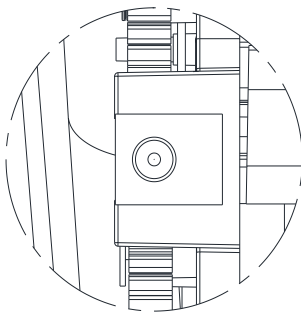
Note: Do not mix different brands, use rechargeable batteries or mix old with new batteries.

1. Install cabinet as per corresponding cabinet's technical data sheet (TDS). If mechanism is already inside the cabinet, skip to step 5.
2. Open cabinet door.
3. Install 8374 mechanism with four (4) 1/4"- 20 x 3/8" Philips pan-head screws (provided) through slots in back of mechanism housing into tapped holes in cabinet back.
4. The battery compartment is located at the front lip of the mechanism (Fig. 1). The cover to the battery compartment is removed by pushing the left hand tab inward and lifting.
5. Insert four (4) D-size, **alkaline** batteries (by others) labeled with an LR-20 designation as shown in the graphics engraved inside the battery compartment.

AC OPERATION INSTALLATION

Note: If AC power is desired, a qualified electrician must provide 100~240 VAC, 50/60 Hz to utility duplex box provided or as added for conversion, prior to proceeding with mechanism installation.

1. Install cabinet as per corresponding cabinet's technical data sheet (TDS). If mechanism is already inside the cabinet, you may need to remove the mechanism first to have better access to the cabinet mounting holes and electrical knockout.
2. Open cabinet door.
3. Feed adapter DC plug wire through opening at top of mechanism frame and down side channel.
4. Plug adapter into matching socket located (when viewed from rear) on bottom left hand side of mechanism housing base (Fig. 2).
5. Rest AC adapter inside unit and install/re-install 8374 mechanism with four (4) 1/4"- 20 x 3/8" Philips pan-head screws (provided) through slots in back of mechanism housing into tapped holes in cabinet and feed excess wire into mechanism housing, leaving just enough to reach outlet to plug in the adapter.
6. Ensure there are **NO BATTERIES** in the battery compartment.
7. Plug AC adapter into powered duplex outlet.



REAR VIEW
DETAIL

Fig. 2

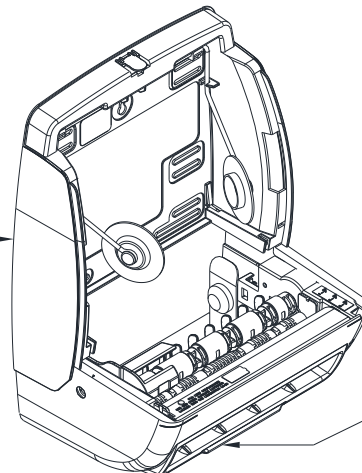
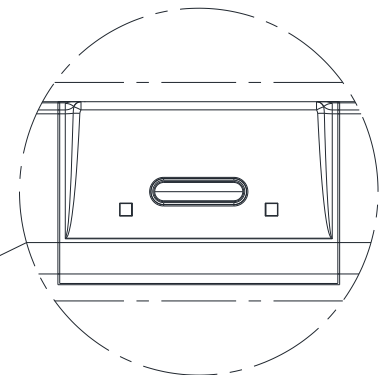


Fig. 1



BOTTOM VIEW
SENSOR DETAIL

Fig. 3