



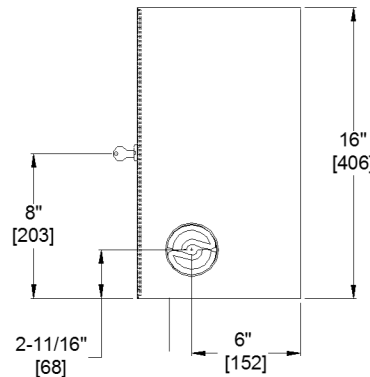
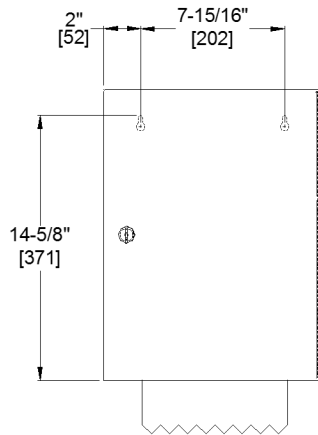
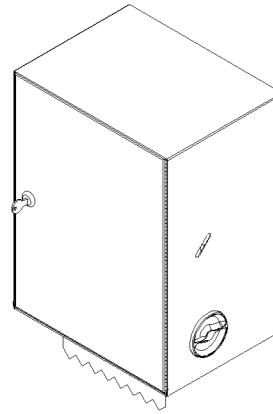
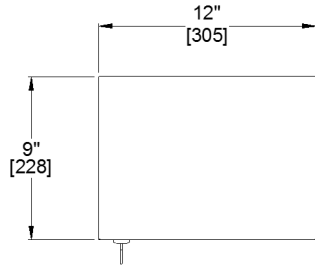
AMERICAN SPECIALTIES, INC.
441 Saw Mill River Road, Yonkers, NY 10701
(914) 476.9000 • (914) 476.0688
www.americanspecialties.com

MODEL №: 8524

ISSUED: 09/2014

REVISED: 16 Sep 2014

SURFACE MOUNTED AUTO-CUT ROLL PAPER TOWEL DISPENSER



SPECIFICATION

Surface Mounted Auto-Cut Roll Paper Towel Dispenser unit shall hold one towel roll 8" diameter (Ø203) x 8" (203) wide and one stub roll 3" diameter (Ø76) x 8" (203) wide and dispense single full width cut towel 12" (305) long from pull-towel auto-cut dispenser. Dispenser mechanism is supplied installed and automatically changes over from depleted stub roll to start new roll without interruption. Unit door and cabinet shall be fabricated of type 304 stainless steel alloy 18-8. Door and back shall be 18 gauge, all other parts shall be 22 gauge. All exposed surfaces shall have satin finish protected by PVC film easily removed after installation. Door shall be attached to cabinet at side with a full-length 3/16" diameter (Ø4.8) stainless steel multi-staked piano hinge and be held closed with a tumbler lock keyed alike to other ASI washroom equipment. Cabinet shall have hemmed edges for safety. Structural assembly of all components shall be of welded construction. Cabinet shall have no exposed fastening devices or spot-welded seams. Labeling is provided to indicate correct operation.

Surface Mounted Auto-Cut Roll Paper Towel Dispenser shall be Model № 8524 as manufactured by American Specialties, Inc., 441 Saw Mill River Road, Yonkers, New York 10701-4913

INSTALLATION

Install unit in wall recess using two (2) № 10 self-tapping screws (by others) through concealed mounting holes provided. Roll towel mechanism is furnished installed. For ADAAG compliance install unit so that top of side actuating control is 48" (1219) maximum above finished floor (MAX AFF).

OPERATION

User grasps leading edge of towel and pulls it out of unit until cycle reaches auto-cut position while supply is not depleted. Next towel is automatically presented ready for use by next user after current cut-off cycle is completed. Towels are loaded by opening cabinet door to access dispenser mechanism and by following instructions provided. Locked compartment prevents unauthorized access or removal.