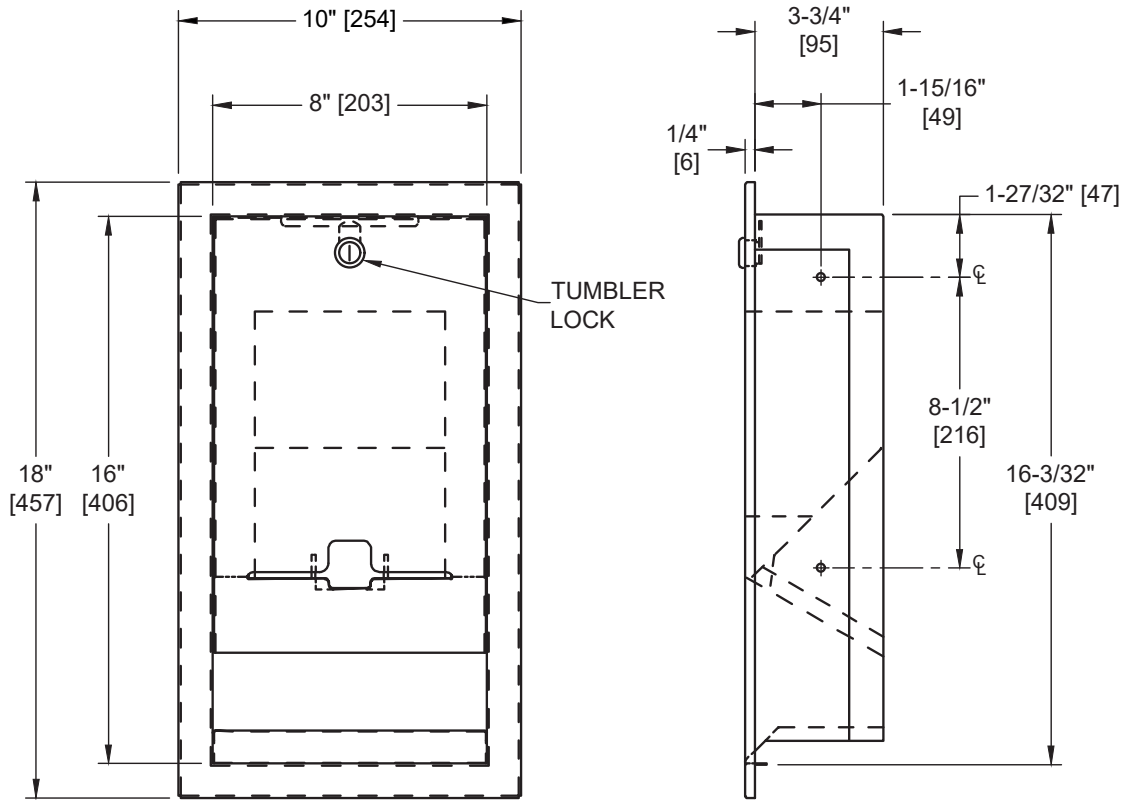


**BABY CHANGING STATION, BED LINER DISPENSER – RECESSED**

Baby Changing Stations

MasterFormat Section 10 28 13



Scan for Information



**SUSTAINABILITY/LEED**

MR 4.1 (1) MR 6 (1) EQ 4.2 (1)  
MR 4.2 (1) EQ 4.1 (1) EQ 4.4 (1)

**NOTE:**  
ALL DIM'S INCH [MM]  
ILLUSTRATION FOR REF ONLY AND NTS

**PRODUCT OVERVIEW**

Holds and dispenses up to 30 paper liners. Liners are self-feeding until supply is depleted. Unit may be reloaded with a partial load in-place and will continue to feed properly. Door held closed with a tumbler lock.

**KEY FEATURES & SPECIFICATIONS**

- This dispenser with a capacity of 30 is self-feeding until supply is depleted.
- Seat is lifted and lowered.
- Door (20 gauge) and cabinet (22 gauge) are made from Type 304 Stainless Steel - Satin Finish
- Door attaches to the cabinet with a full length 3/16" dia. [Ø5] stainless steel multi-staked piano hinge.
- Recessed Mounting.
- Unit is held closed with a tumbler lock keyed alike to other ASI washroom equipment.
- Liners are self-feeding until supply is depleted

**OPERATION & MAINTENANCE**

Liners are self-feeding until supply is depleted. Unit may be reloaded with a partial load in-place and will continue to feed properly.

**TECHNICAL INFORMATION / PRODUCT PROPERTIES**

Property	Value
Dimensions	10" x 18" x 4" [254 x 457 x 102]
Construction	Type 304 Stainless Steel - Satin Finish
Mounting	Recessed
Capacity	30 paper liners

**INSTALLATION**

Unit is recessed mounted in wall using #10 screws (by others) through concealed mounting holes provided. For compliance with ADA Accessibility Guidelines, unit should be installed so that liner dispenser slot is 54" [1372] maximum Above Finished Floor (AFF) if clear floor side reach access is provided or 48" [1219] maximum AFF if clear floor forward reach access only is provided. To comply with CalDAG mounting height, liner dispenser slot should be 40" [1016] AFF. Note that bottom of RWO is 3/4" [19] above bottom of unit.

Rough Wall Opening (RWO) required is 8-1/4" W x 16-1/4" H x 3-3/4" D minimum [210 x 413 x 95]

**WARRANTY**

One (1) Year from date of purchase