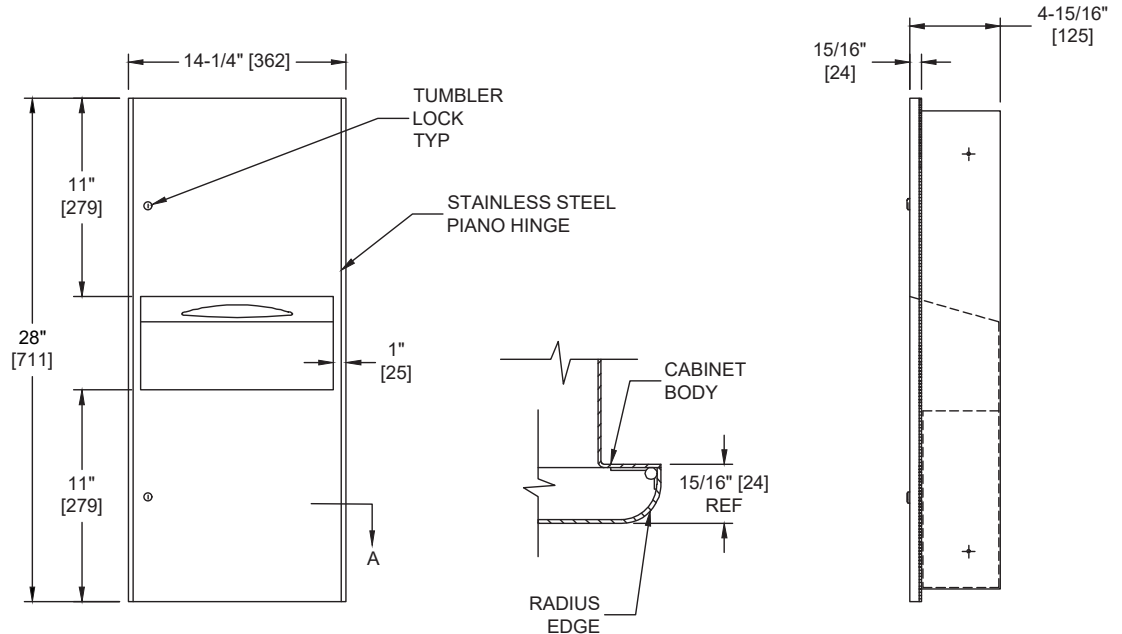


Profile Collection Paper Towel Dispenser (475 Multi - 350 C-Fold) and Waste Receptacle (2 gal.) – Recessed

Paper Towel Combination Units

Profile

MasterFormat Section 10 28 13



Scan for Information



SUSTAINABILITY/LEED

MR 4.1 (1) EQ 4.1 (1)
MR 4.2 (1) EQ 4.2 (1)
MR 6 (1) EQ 4.4 (1)

NOTE:
ALL DIM'S INCH [MM]
ILLUSTRATION FOR REF ONLY AND NTS
FOR CLEANING INSTRUCTIONS SEE APPROPRIATE SECTIONS IN
PRODUCT CARE & MAINTENANCE BULLETIN (PCM) ON ASI WEBSITE

PRODUCT OVERVIEW

Dispenses 350 C-fold or 475 multi-fold paper towels and has a built-in 2 gal. (7.6 L) stainless steel waste receptacle. Towels are self-feeding until supply is depleted. Unit may be reloaded with a partial load in-place and will continue to feed properly.

KEY FEATURES & SPECIFICATIONS

- Robust 16 gauge Stainless Steel door
- Curved (radius) vertical door and waste receptacle edges add elegance
- Type 304 Stainless Steel - Satin Finish
- Recessed
- 350 C-Fold or 475 Multi-Fold / 2.0 Gal. (7.6 L) Waste Capacity

OPERATION & MAINTENANCE

Towels are self-feeding until supply is depleted. Unit may be reloaded with a partial load in-place and will continue to feed properly. Waste container is emptied manually on cycle determined by maintenance needs.

TECHNICAL INFORMATION / PRODUCT PROPERTIES

| Property | Value |
|--------------|--|
| Dimensions | 14-1/4" [362] W x 28" [711] H x 4-15/16" [125] D |
| Construction | Type 304 Stainless Steel - Satin Finish |
| Mounting | Recessed |
| Capacity | 350 C-Fold or 475 Multi-Fold / 2.0 Gal. (7.6 L) Waste Capacity |

INSTALLATION

Mount unit in wall recess using #10 self-threading screws (by others) through concealed mounting holes provided. For compliance with 2010 ADA Accessibility Standards mount unit with center of towel outlet 48" [1219] maximum Above Finish Floor (AFF). Note that top of RWO is 3/4" [19] below top of unit.

Rough Wall Opening (RWO) required is 12-3/4" [324] W X 26-1/2" [673] H X 4-1/4" [108] D minimum

WARRANTY

One (1) Year from date of Invoice