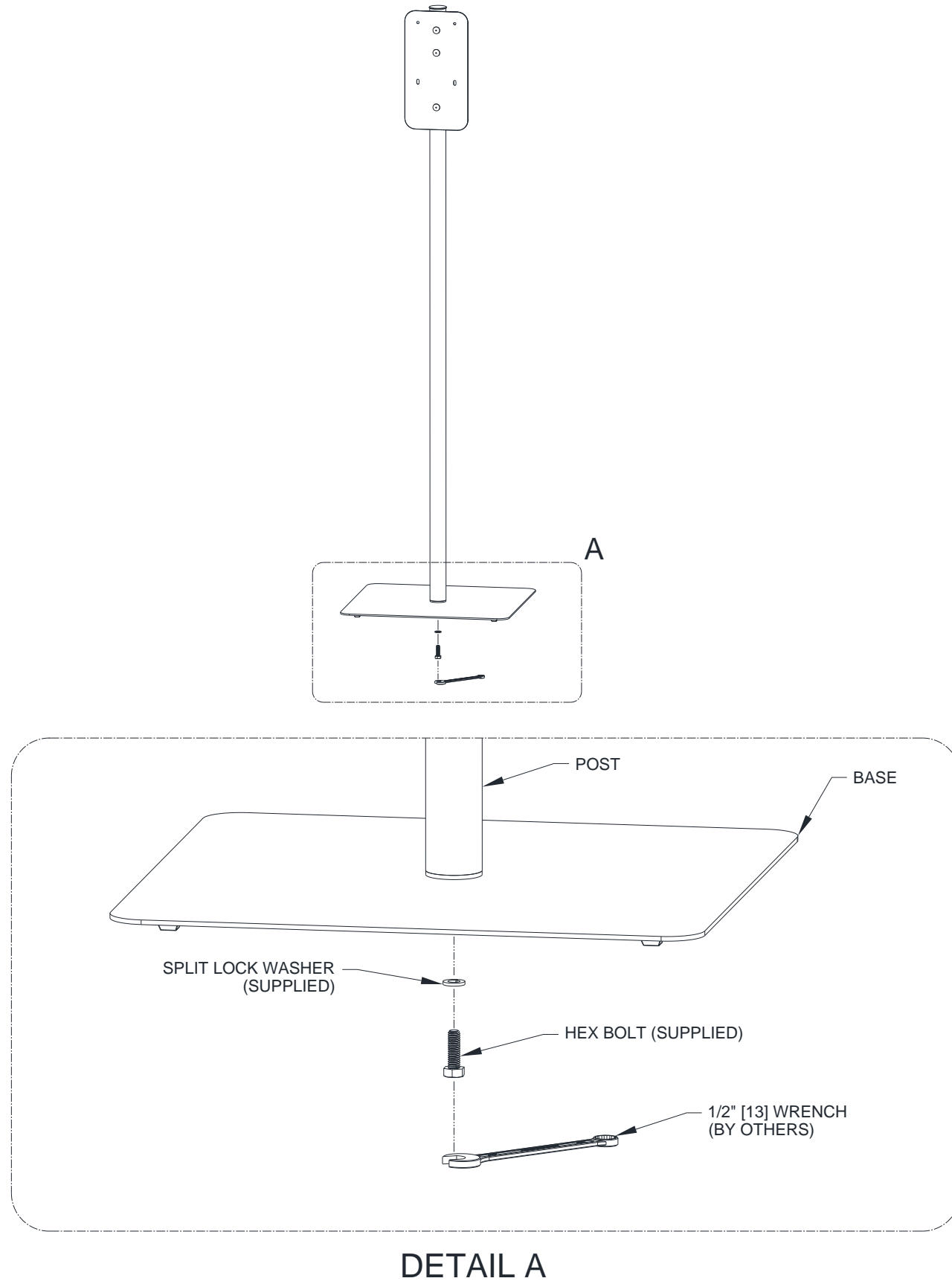


HAND SANITIZER DISPENSER STAND ASSEMBLY INSTRUCTIONS

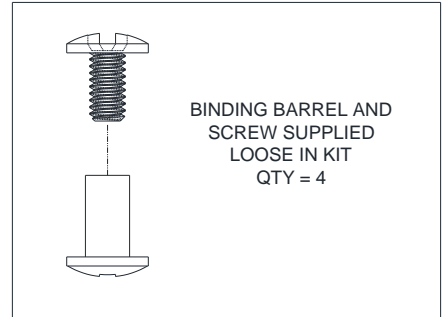
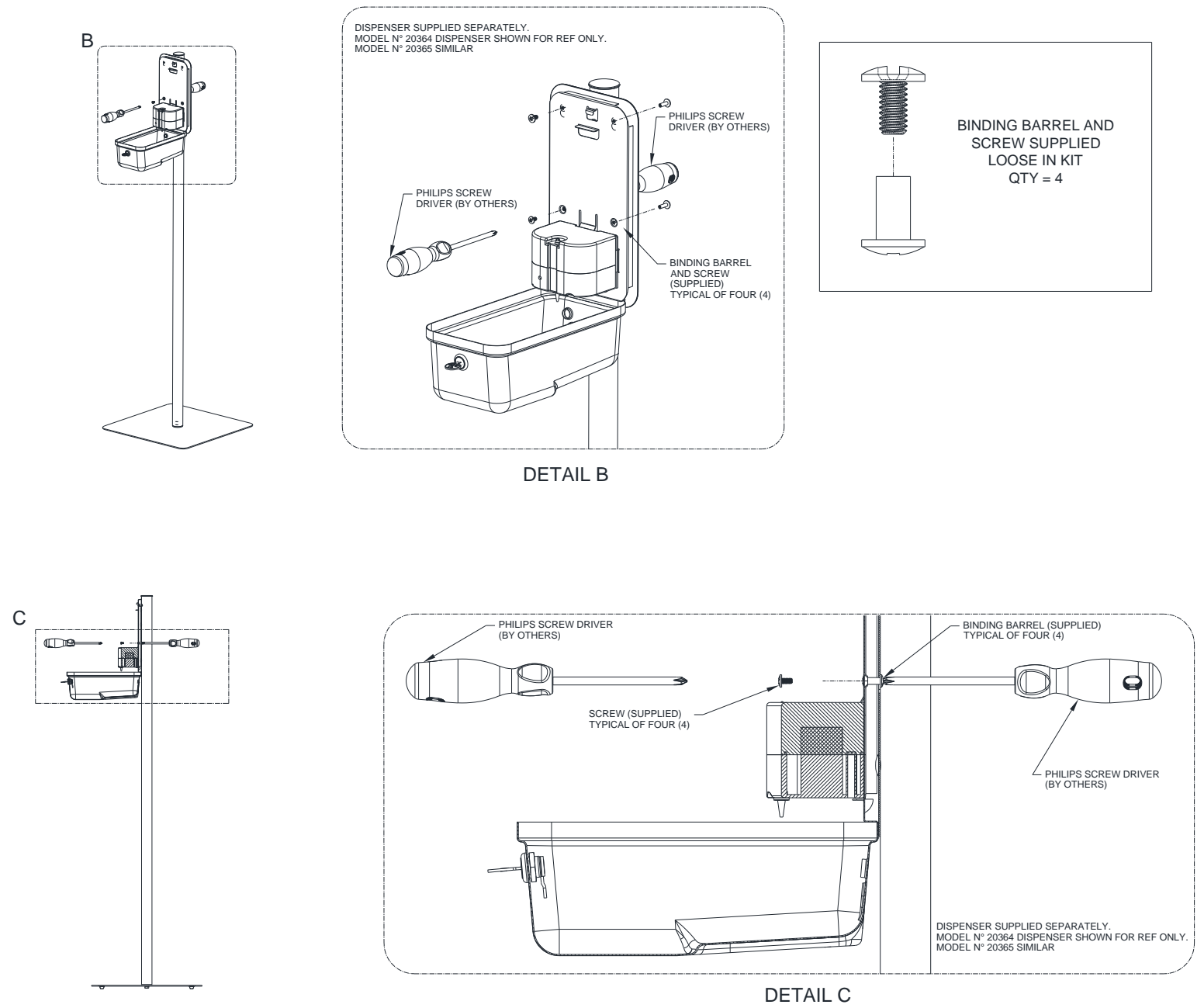
1. ASSEMBLY:

- 1.1 Lock post to base with one (1) split helical lock washer (supplied) and 5/16" -18 x 1" hex bolt (supplied) using a 1/2" [13] wrench (by others), as shown on detail A
- 1.2 Unit should be placed in location to maximize access by pedestrian traffic and to not interfere with any accessible route clearances.



2. STEPS TO INSTALL 20364 AND 20365

- 2.1 Secure dispenser (supplied separately) to the stand mounting plate (factory installed) with four (4) screw-posts (supplied) through concealed mounting holes in the dispenser back (see Detail B and Detail C)
- 2.2 Use two (2) #2 Philips bit screw drivers (by others) into binding barrels (supplied) inserted from behind the mounting plate (see detail C).
- 2.3 Follow detailed Set-up instructions & provided in dispenser Owner Manual (OM) provided with dispenser.
- 2.4 When assembly is completed no fasteners are visible on exposed dispenser surfaces.

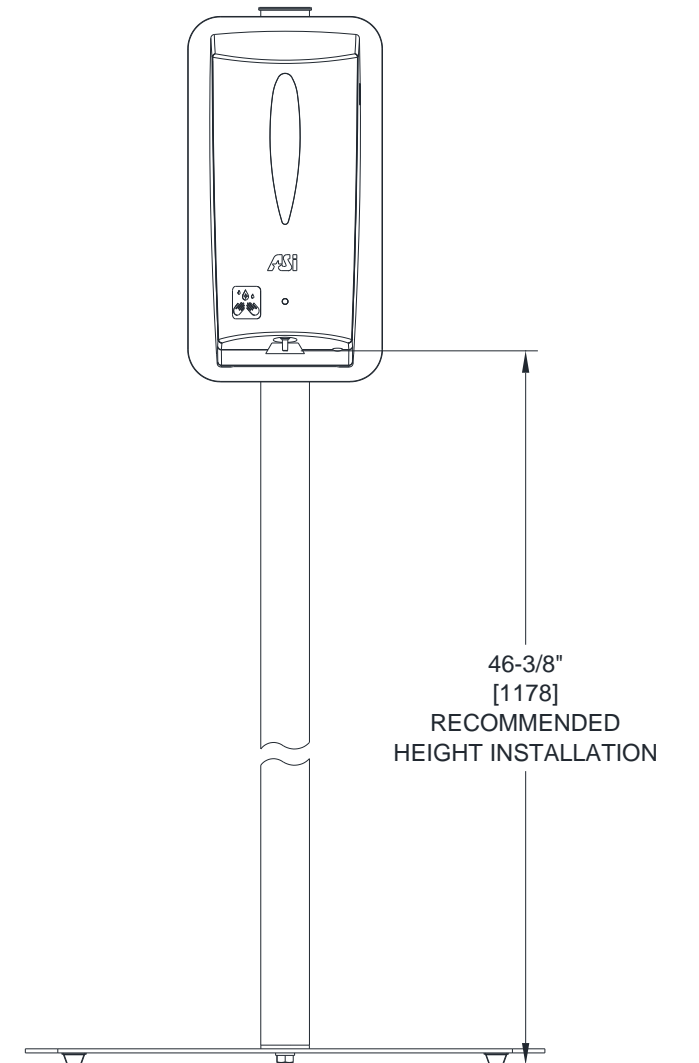
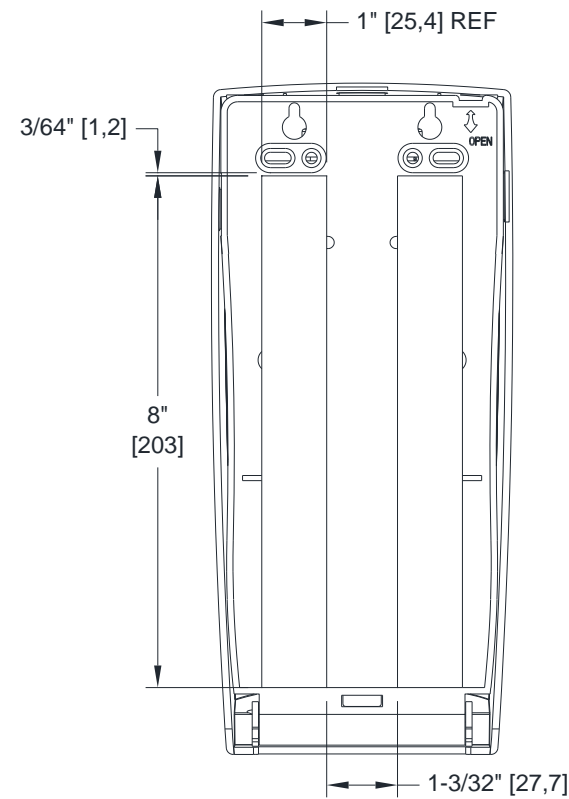
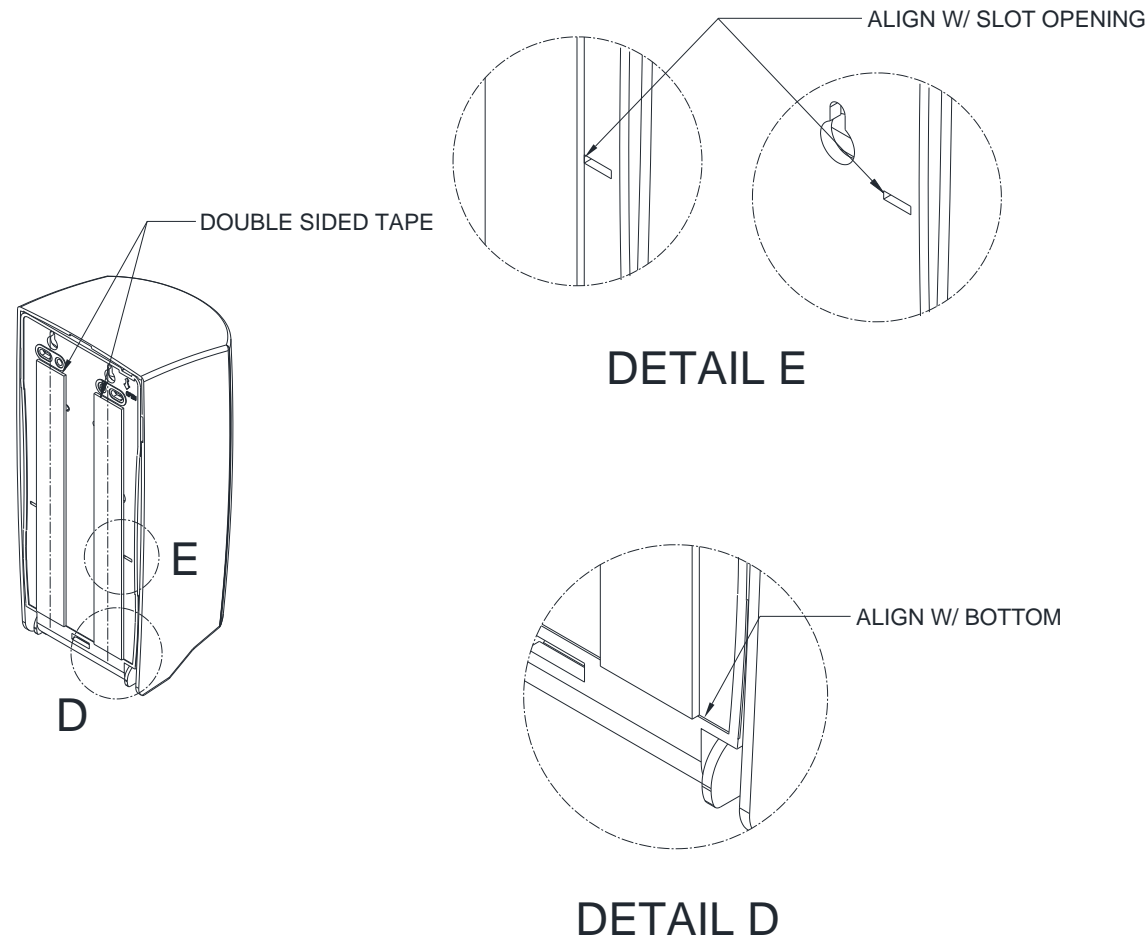


HAND SANITIZER DISPENSER STAND ASSEMBLY INSTRUCTIONS

2. STEPS TO INSTALL 0361

- 2.1 Clean dispenser back with Isopropyl Alcohol. Allow to dry completely.
- 2.2 Cut the 16" double sided tape (supplied) into two (2) lengths of 7-7/8" [200] as shown on diagram.
- 2.3 Adhere tape strips per diagram with no wrinkles or air bubbles, with liners in place, press to ensure even attachment.
- 2.4 Clean HSDS mounting plate with Isopropyl Alcohol. Allow to dry completely.
- 2.5 Mark alignment guidelines on HSDS mounting plate (or use blue painters tape, by others) for dispenser outline.
- 2.6 Remove liner strips from tapes.
- 2.7 While aligning dispenser straight with marked lines press evenly and maintain pressure for 1 hour before using.

DISPENSER SUPPLIED SEPARATELY.
MODEL N° 0361 DISPENSER SHOWN FOR REF ONLY.

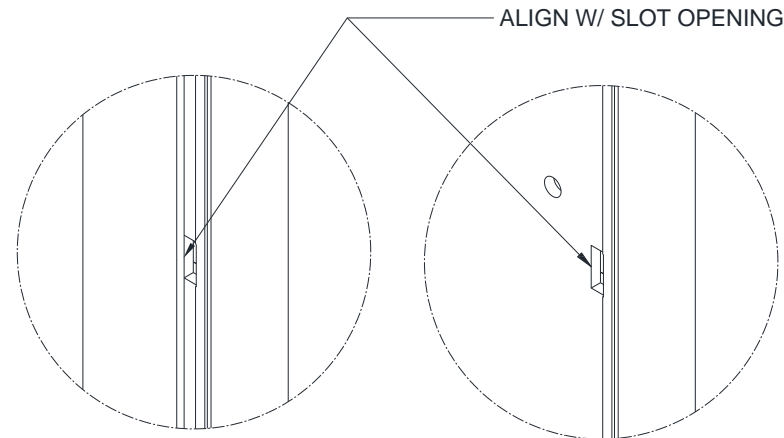


0361-SUGESTED LOCATION FOR TAPE INSTALLATION

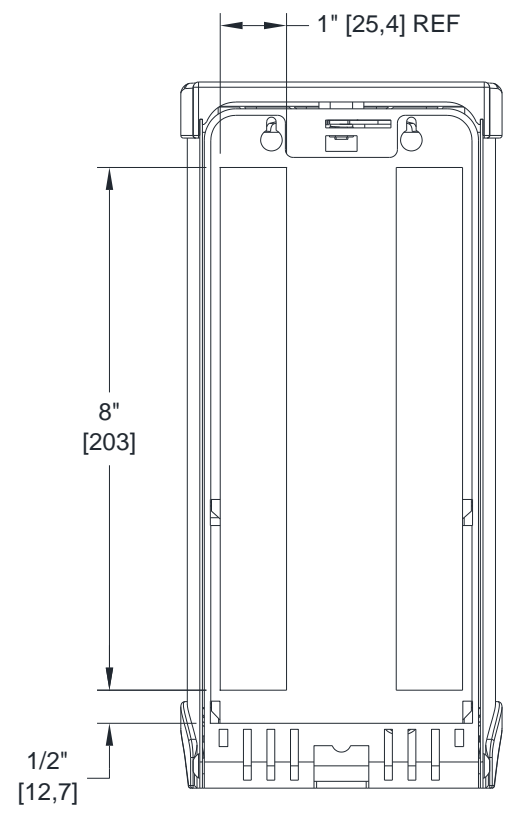
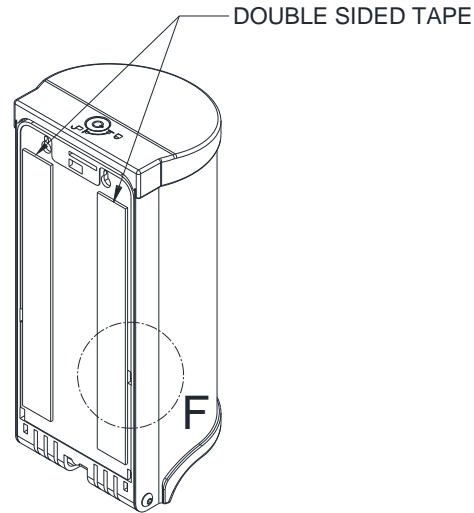
HAND SANITIZER DISPENSER STAND ASSEMBLY INSTRUCTIONS

2. STEPS TO INSTALL 0362

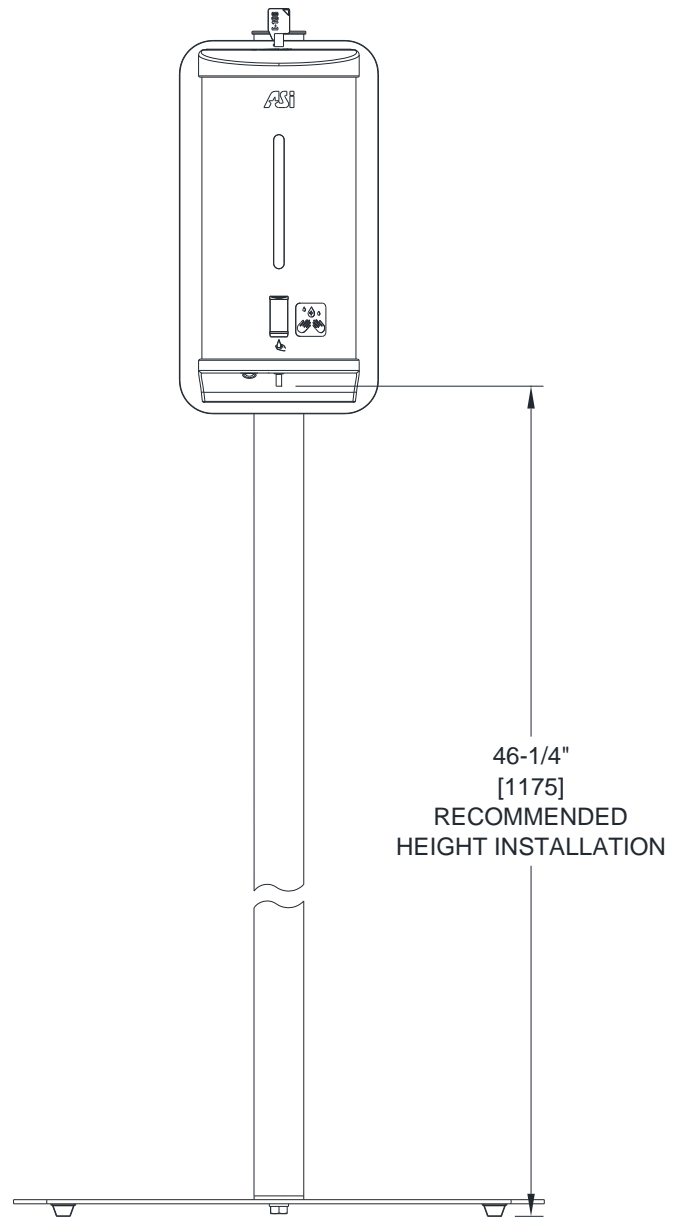
- 2.1 Clean dispenser back with Isopropyl Alcohol. Allow to dry completely.
- 2.2 Cut the 16" double sided tape (supplied) into two (2) lengths of 8" [203] as shown on diagram.
- 2.3 Adhere tape strips per diagram with no wrinkles or air bubbles, with liners in place, press to ensure even attachment.
- 2.4 Clean HSDS mounting plate with Isopropyl Alcohol. Allow to dry completely.
- 2.5 Mark alignment guidelines on HSDS mounting plate (or use blue painters tape, by others) for dispenser outline.
- 2.6 Remove liner strips from tapes.
- 2.7 While aligning dispenser straight with marked lines press evenly and maintain pressure for 1 hour before using.



DETAIL F



DISPENSER SUPPLIED SEPARATELY.
MODEL N^o 0362 DISPENSER SHOWN FOR REF ONLY.

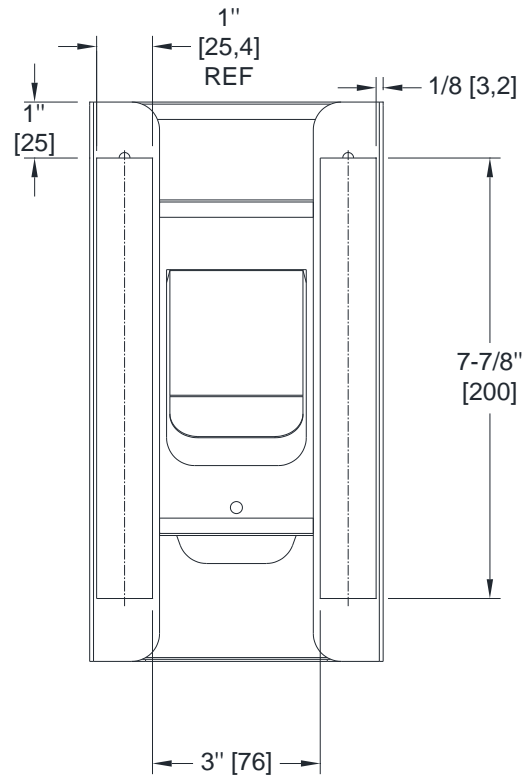
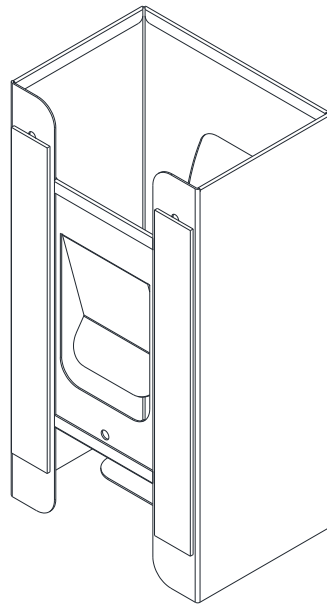


0362-SUGESTED LOCATION FOR TAPE INSTALLATION

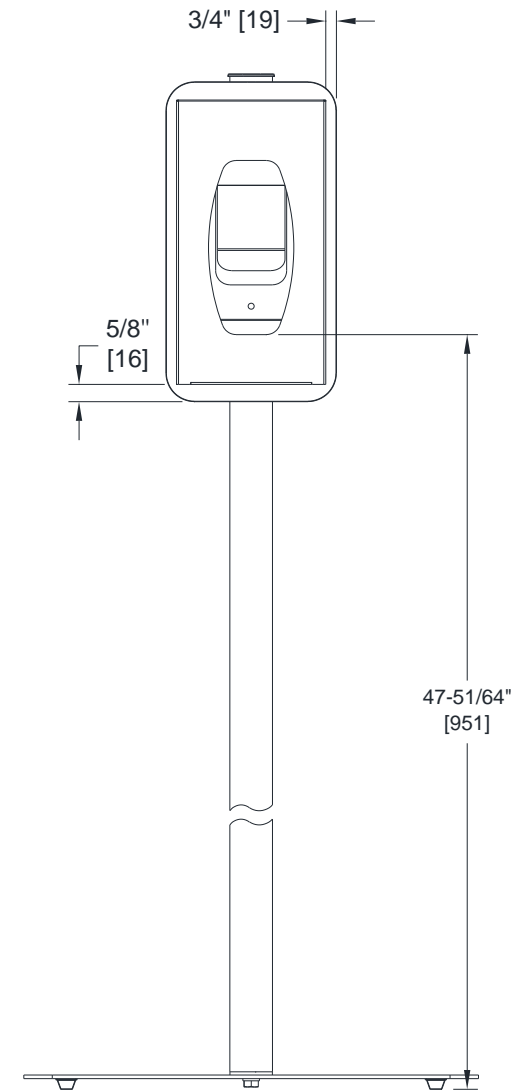
HAND SANITIZER DISPENSER STAND ASSEMBLY INSTRUCTIONS

2. STEPS TO INSTALL 0501-1

- 2.1 Clean dispenser back with Isopropyl Alcohol. Allow to dry completely.
- 2.2 Cut the 16" double sided tape (supplied) into two (2) lengths of 7-7/8" [200] as shown on diagram.
- 2.3 Adhere tape strips per diagram with no wrinkles or air bubbles, with liners in place, press to ensure even attachment.
- 2.4 Clean HSDS mounting plate with Isopropyl Alcohol. Allow to dry completely.
- 2.5 Remove liner strips from tapes.
- 2.6 Aligning dispenser straight, press evenly and maintain pressure for 1 hour before using.



DISPENSER SUPPLIED SEPARATELY.
 MODEL № 0501-1 DISPENSER SHOWN FOR REF ONLY.



0501-1-SUGESTED LOCATION FOR TAPE INSTALLATION