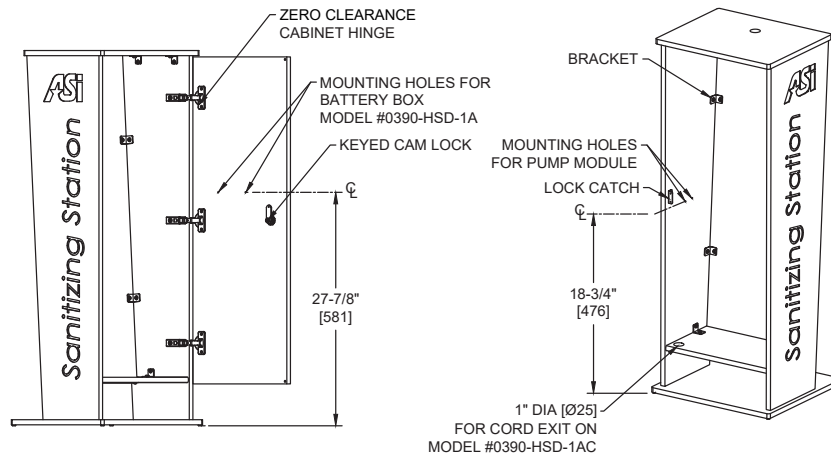
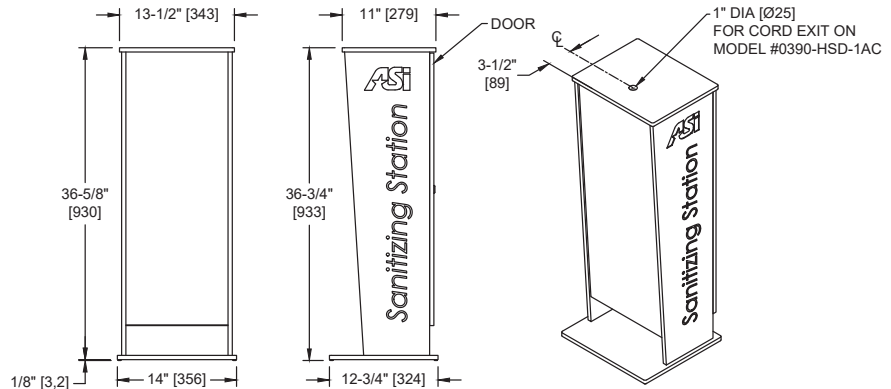
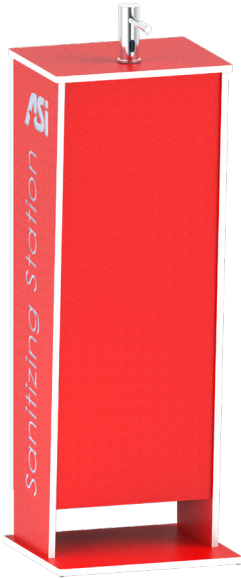


Mobile Solid Plastic (HDPE) Sanitizing Station (- A Battery / -AC - AC Power) Freestanding

Stand

MasterFormat Section 10 28 13



NOTE:
ALL DIM'S INCH [MM]
ILLUSTRATION FOR REF ONLY AND NTS
FOR CLEANING INSTRUCTIONS SEE APPROPRIATE SECTIONS IN
PRODUCT CARE & MAINTENANCE BULLETIN (PCM) ON ASI WEBSITE

Scan for Information



SUSTAINABILITY/LEED

PRODUCT OVERVIEW

Freestanding Solid Plastic (HDPE) Sanitizer Station shall be constructed with panels made of solid high-impact high-density polyethylene (HDPE) with antimicrobial additive and shall be 1/2" [13] thick. Material shall be co-extruded with red exterior and white core. Lettering on stand shall be routed exposing white core. Stand shall be freestanding to enable placement by Facility Manager/Owner in any convenient location desired to serve occupant/visitor traffic. Interior of stand is accessible from lockable door on back of stand. Door shall be attached to back of stand with three (3) zero-clearance concealed cabinet hinges and shall be held closed with a keyed nickel-plated zinc cam lock. Top surface of stand shall have 1" Dia. [Ø25] hole for dispenser spout installation. Side panel inside (RH) shall have mounting holes to accommodate pump module wall bracket and inside face of door shall have mounting holes to accommodate battery box. Brackets shall be used for structural assembly of cabinet panel components and shall be 16 gauge type 304 stainless steel alloy 18-8 with polished finish. Fasteners used on the interior of the cabinet shall be zinc-plated steel. Fasteners used on base shall be stainless steel. Base has silicone rubber feet to prevent sliding. Stand is freestanding for flexibility of placement and repositioning. All edges and corners have 1/4" Radius [R 6] for smooth surface transitions. Unit is shipped assembled.

KEY FEATURES & SPECIFICATIONS

- Tip-resistant design, with skid-resistant silicone tips on the base
- Pre-assembled stand includes gel sanitizer dispenser 0390-HSD (field mounted)
- Stand panels - antimicrobial Solid Plastic (HDPE) - 1/2" [13] thick
- Co-extruded HDPE creates dual colored sheets - edges and corners are radiused for safety
- Free Standing - Mobile
- Lockable door, provides access to dispenser components
- Dispenser choice - Battery or AC power

OPERATION & MAINTENANCE

Sanitizing Station provides stable, tip and skid resistant location for sanitizer dispenser convenient to visitor and facility occupant traffic flow. Locked Station door prevents unauthorized access or removal of dispenser from the stand. See OM & IG for complete description of features and operations.

TECHNICAL INFORMATION / PRODUCT PROPERTIES

Property	Value
Dimensions	14" [356] W x 36-3/4" [933] H x 12-3/4" [324] D
Construction	Solid high-impact high-density polyethylene (HDPE) Tip-resistant design, with skid-resistant silicone tips on the base
Mounting	Free Standing - Mobile
Capacity	One (1) gel sanitizer dispenser 0390-HSD (Included)

INSTALLATION

Install dispenser components inside the stand using the appropriate hardware (supplied) into provided pre-drilled mounting holes. Unit should be placed in location to maximize access by pedestrian traffic and not interfere with any accessible route clearances. See OM & IG for complete installation of dispenser units onto and within stand.

WARRANTY

One (1) Year from date of Invoice