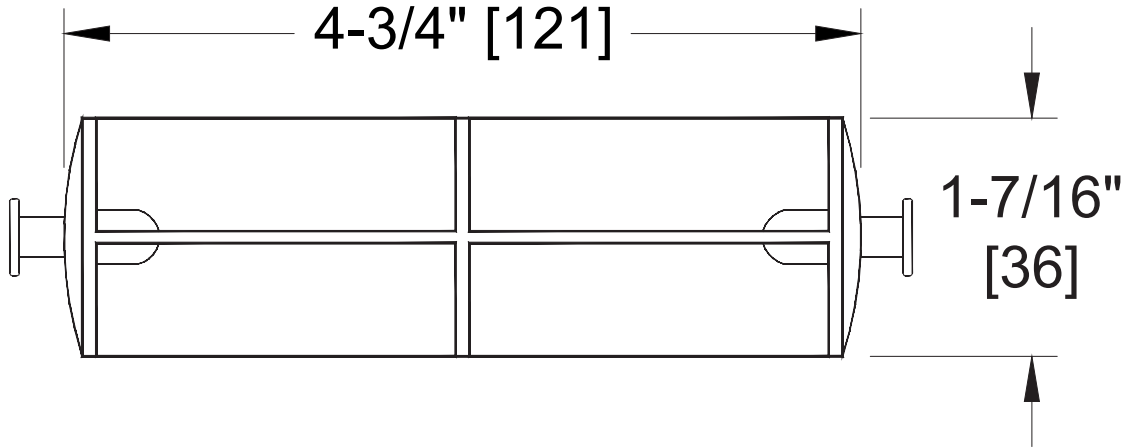
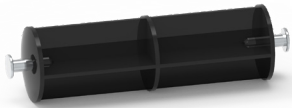


Roller for 0030 Toilet Tissue Dispenser Series

Toilet Tissue Dispensers

PARTS

MasterFormat Section 10 28 13



Scan for Information



SUSTAINABILITY/LEED

NOTE:
ALL DIM'S INCH [MM]
ILLUSTRATION FOR REF ONLY AND NTS

PRODUCT OVERVIEW

The products below may be needed to complete your installation. Be sure to check with your specific product installation manual or operating manual to confirm all parts needed for your configuration.

KEY FEATURES & SPECIFICATIONS

- Roller for 0030 Tissue Dispenser Series
- For 0030, 0031, 0032, 9030, 9031, 20030, 20031, and all combination units

OPERATION & MAINTENANCE

All ASI products are designed and manufactured to high quality standards to ensure many years of satisfactory service. To assure long life and beauty, the product should be cleaned, protected, and maintained. Usually units that have just been installed will require cleaning after the protective plastic film has been removed. Depending upon how long the units have been in storage prior to installation, a product such as 3M™ Adhesive Remover (6041) may be helpful in removing any stubborn vinyl & adhesive residue. Plastic, Phenolic, or Laminate materials can be maintained with general-purpose protectant products such as Armor All®. Do not soak edges of laminated products as this may allow moisture to seep into edge seams, leading to delamination as the core swells over time.

TECHNICAL INFORMATION / PRODUCT PROPERTIES

Property	Value
Dimensions	4" [102]
Construction	ABS Plastic
Mounting	Replacement Part
Capacity	Fits all standard ASI holders

INSTALLATION**OPTIONS****WARRANTY**

One (1) Year from date of Invoice