



# AMERICAN SPECIALTIES, INC.

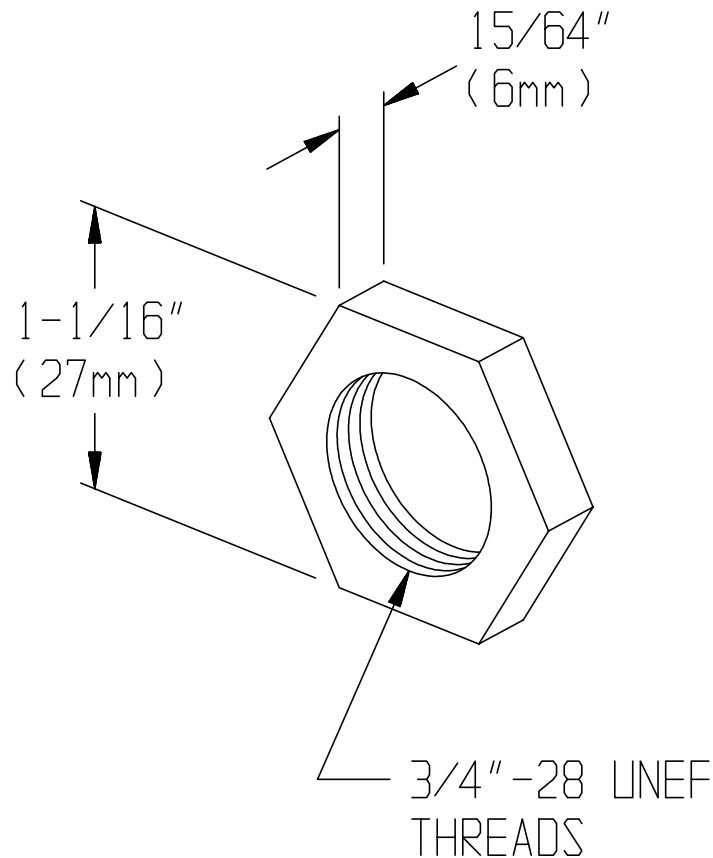
441 Saw Mill River Road, Yonkers, NY 10701 (914) 476-9000  
www.americanspecialties.com

MODEL No: R1-15

ISSUED: 5-05

REVISED: 3-06

## HEX NUT



### SPECIFICATION

Hex Nut shall be nylon, black with 3/4"-28 internal threads to fit the ASI soap valves. The R1-15 shall be compatible with all soaps, lotions or detergents suitable for the dispenser application, including those containing antimicrobial agents such as PCMX or Triclosan.

**Hex Nut shall be Model N<sup>o</sup> R1-15 of American Specialties, Inc., 441 Saw Mill River Road, Yonkers, New York 10701-4913**