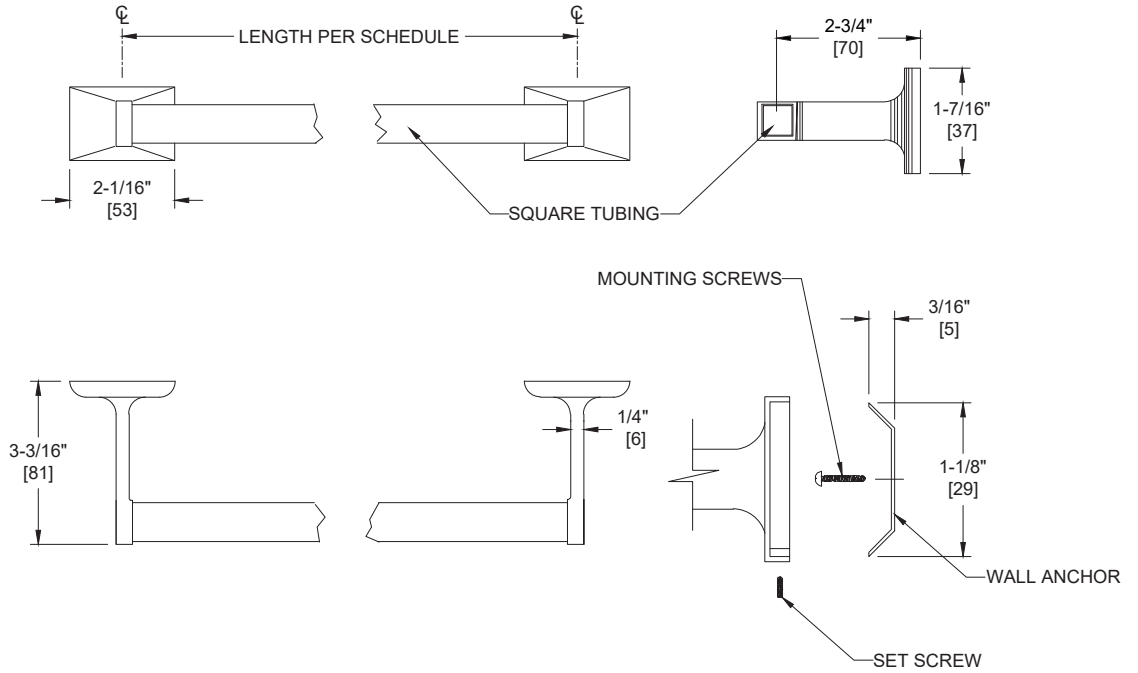


Towel Bar (Square) – Surface Mounted, Chrome Plated Zamak

Specialty Accessories

MasterFormat Section 10 28 13



Scan for Information



SUSTAINABILITY/LEED

NOTE:
ALL DIM'S INCH [MM]
ILLUSTRATION FOR REF ONLY AND NTS

PRODUCT OVERVIEW

Fabricated from triple chrome plated rust-resistant Zamak. Bar is 3/4" [19] square 21 gauge (.032 in. <.81 mm> wall) triple chrome plated steel tubing. Triple chrome plated steel tubing available in variable lengths: 0760-Z-18 – 18" [457] length 0760-Z-24 – 24" [610] length 0760-Z-30 – 30" [762] length

KEY FEATURES & SPECIFICATIONS

- Square shaped rod
- Chrome Plated Zamak
- Surface Mounted

OPERATION & MAINTENANCE

Washroom accessory products require regular surface cleaning, much the same as stainless steel sinks, pots and pans, and eating utensils. As long as a regular cleaning schedule is followed, the best method is cleaning with a soft clean rag moistened with a mild detergent, followed by a water-moistened clean rag and then a dry rag.

TECHNICAL INFORMATION / PRODUCT PROPERTIES

Property	Value
Dimensions	3/4" Square Tube / Lengths available from 18" [467] - 30" [762]
Construction	Chrome Plated Zamac
Mounting	Surface Mounted
Capacity	N/A

INSTALLATION

For general utility, mount bar 50" [1270] Above Finished Floor (AFF) from center line of towel bar. Locate wall brackets in appropriate positions and secure wall plates with two (2) self-threading screws (by others) through two slot holes in wall plates. Install brackets over wall plates and fasten in place with stainless steel set screws through tapped holes in brackets.

ADDITIONAL INFORMATION

Size Options
 0760-Z18 : 18" [457] Length
 0760-Z24: 24" [610] Length
 0760-Z0: 30" [762] Length

WARRANTY

One (1) Year from date of Invoice