



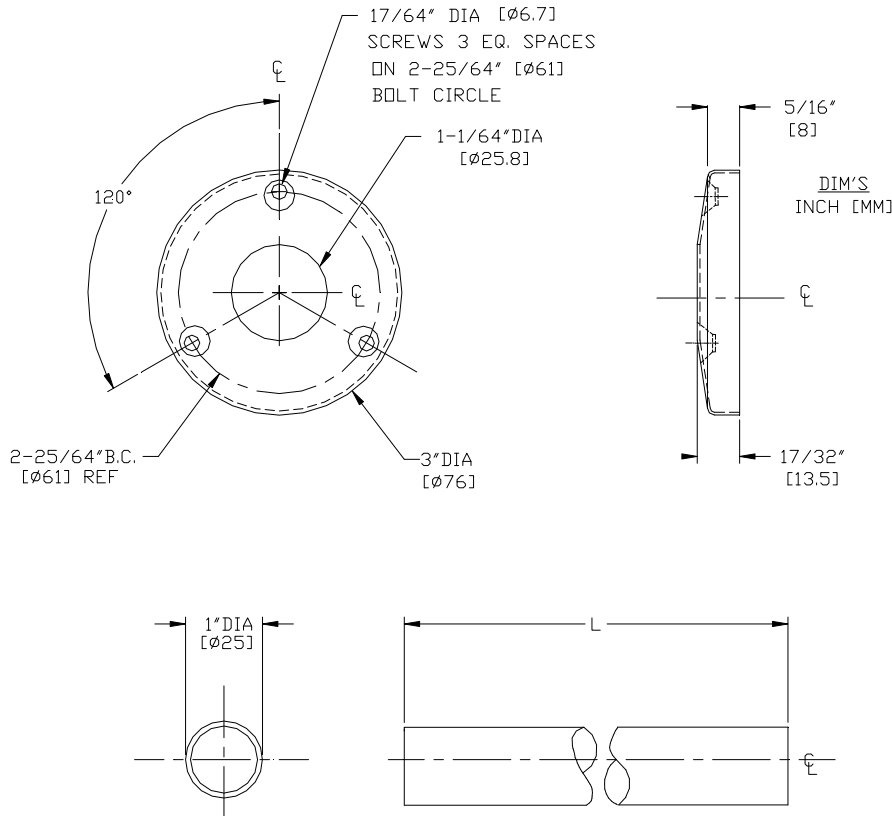
AMERICAN SPECIALTIES, INC.
 441 Saw Mill River Road, NY 10701
 (914) 476.9000 • (914) 476.0688
 www.americanspecialties.com

MODEL №: 1214

ISSUED: 1-87

REVISED: 05 Nov 2013

HEAVY-DUTY SHOWER CURTAIN ROD



SPECIFICATION

Heavy-Duty Shower Curtain Rod with flanges shall be fabricated of type 304 stainless steel alloy 18-8 and shall be protected during shipment with a plastic bag. Tubing shall be 1" diameter (Ø25) x 20 gauge with a satin finish and shall be protected during shipment with a plastic sleeve. Length shall be as specified. Flanges shall have three (3) dimpled 17/64" diameter (Ø6.7) holes to accept either Ø1/4 (M6) or № 10 (M5) oval head screws (provided by others).

Heavy-Duty Shower Curtain Rod with Exposed Mounting Flanges shall be Model No 1214-XXX of American Specialties, Inc., 441 Saw Mill River Road, Yonkers, New York 10701-4913

ORDERING NOTE

Select rod length in inches (e.g. 048, 060, 120) to create Part Spec Order Number (i.e. 1214-060).

INSTALLATION

Install rod in straight section between two (2) mounting flanges with no more than 1/4" (6) total wall clearance. Rods longer than 72" (1829) require ceiling hanger Model № 1224-C18. For use with standard shower curtain model №'s 1200 or 1200-V having 72" (1829) length and standard hooks (Model № 1200-SHU) install unit with rod centerline 74-1/2" (1892) maximum above finished floor (MAX AFF) or 67" (1702) above tub rim to obtain 6" (152) bottom overlap. Seal screw holes in walls under flange to prevent any sprayed water from possibly infiltrating the wall structure.

OPERATION

Rod is held captive by flanges when installed properly. Rod may rotate in flanges if turned by hand. Correctly installed rod and flanges will support specified shower curtain(s) hung on hooks 1200-SHU or others (by others). Rod will bend and pull from flanges if significant body weight is suspended.