



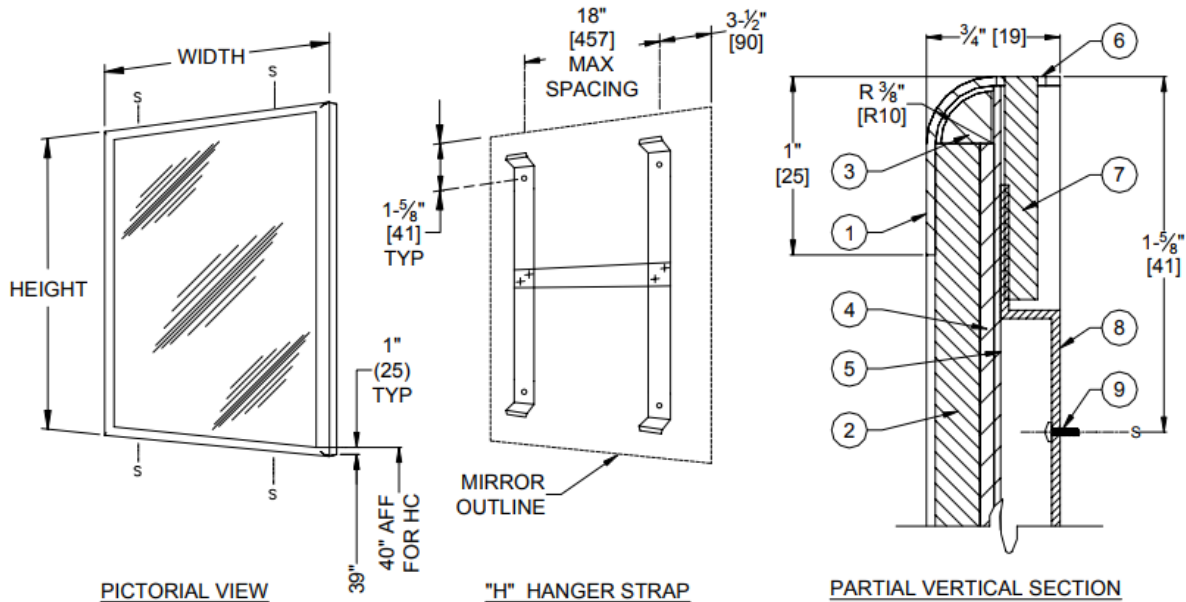
**AMERICAN SPECIALTIES, INC.**  
 441 Saw Mill River Road, NY 10701  
 (914) 476.9000 • (914) 476.0688  
 www.americanspecialties.com

MODEL №: 20650

ISSUED: 09/09

REVISED: 19 FEB 2018

**ROVAL™ INTER-LOK STAINLESS STEEL FRAMED MIRROR**



WIDTH	STRAP SPACING	# HANGER STRAPS
18" [457]	11" [279]	2
24" [610]	17" [432]	2
36" [914]	14-1/2" [368]	3

**DESCRIPTION**

- |  |   |
|--|---|
| 1. 18 GAUGE STAINLESS STEEL FRAME          | 6. MOUNTING FLUSH NUTSERT   |
| 2. 1/4" (6) PLATE GLASS MIRROR             | 7. TAMPERPROOF MOUNTING & LOCKING HEX SOCKET HEADLESS SET-SCREW #10-32 X 1-1/4"(32) |
| 3. SHOCK ABSORBING EDGE CUSHION            | 8. HANGER BRACKET 18 GAUGE  |
| 4. NON-ABSORBENT FILLER                    | 9. INSTALLATION SCREW-FURNISHED BY INSTALLER  |
| 5. 20 GAUGE CORROSION PROTECTED STEEL BACK |   |

**SPECIFICATION**

Royal™ Collection Inter-Lok Stainless Steel Framed Mirror shall have frame fabricated of 18 gauge type 304 stainless steel alloy 18-8. Frame full front shall be formed seamless with mitered corners welded and polished and shall have gently radiused edges to provide added strength and complimentary appearance for modern washroom aesthetics. All exposed surfaces shall be satin finish. Mirror glazing shall be \_\_\_\_\_ (insert glazing option) and shall be warranted for 15 years against silver spoilage. All edges of mirror shall be protected with friction and chafe absorbing fillers. Full size shock-absorbing water-resistant filler and full size one-piece 20 gauge corrosion protected steel shall protect back of mirror. An 18 gauge corrosion protected steel 'H' bracket shall be supplied with all required mounting hardware. Mirror shall be secured to vertical bracket with hex socket headless locking screws.

Royal™ Collection Inter-Lok Stainless Steel Framed Mirror shall be Model № 20650- \_\_\_\_ (insert glazing option) of American Specialties, Inc., 441 Saw Mill River Road, Yonkers, New York 10701-4913

**MATERIALS**

- Frame:** 18 gauge type 304 stainless steel alloy 18-8, (.048" <1.2> thick). Unitized all welded construction. Exposed surfaces have satin finish. Edges and corners are burr free.
- Glass:** Standard glazing is № 1 quality, 1/4" (6.4) thick plate/float glass, silver coated and hermetically sealed with a uniform coating of electrolytic copper plating and warranted against silver spoilage for 15 years. Mirrors meet Federal Spec DD-M-411C, ASTM C-1036-06, ASTM C-1048-92, ASTM C-1503-01.
- Filler:** Expanded polyethylene microcell foam sheet material, abrasion resistant and shock absorbing, water resistant, 1/8" (3.2) total layer thickness.

**INSTALLATION**

Install bracket level and plumb as per diagram location using № 10 x 1" (M5 x 25) self-tapping pan head screws (by others). Hang mirror on bracket and tighten locking screws at top & bottom. For compliance with 2010 ADA Accessibility Standard bottom edge of reflecting surface should be no higher than 40" (1016) above finished floor.

**GLAZING OPTIONS**

Units are supplied with standard A glazing 1/4" (6.4) thick plate glass mirror. Other glazing option available is tempered glass mirror 20650-B. For a complete description see the **MIRROR GLAZING OPTIONS** chart.



**AMERICAN SPECIALTIES, INC.**  
 441 Saw Mill River Road, Yonkers, NY 10701  
 (914) 476.9000 • (914) 476.0688  
 www.americanspecialties.com

<b>MODEL №:</b>	<b>GLAZINGS</b>
ISSUED:	1-87
REVISED:	22 MAY 2014

## MIRROR GLAZING OPTIONS

GLAZING SUFFIX	DESCRIPTION
A	Plate Glass - 1/4" (6.4mm) thick № 1 quality polished, silver coated and hermetically sealed with a uniform coating of electrolytic copper plating. Mirrors meet Federal Spec. № DD-M-411C, ASTM C-1503 and ASTM-C-1036-91. Image quality: Excellent
B (1,2,3)	Tempered Glass - 1/4" (6.4mm) thick polished tempered glass with two coats of silver applied. Electroplating with a heavy uniform coating of copper hermetically seals the silver. Back of mirror is finished and protected with a thick coat of heavy waterproof paint. Glazing meets Federal Specification № DD-G1403B, Amendment 1, ASTM C-1503 and ASTM-C-1048-92. Image quality: Good
C (1,2,3)	Metal Mirrors - Shall be Type 304 alloy 18-8 stainless steel, 20 gauge polished to a № 8 mirror finish. Image quality: Good
D (1)	Lexan Dura-Mirror - 1/4" (6.4mm) thick polycarbonate sheet, highly impact resistant. Mirror face is provided with a thick removable masking to prevent scratching during installation. Image quality: Very Good
E (1)	Plexiglas® - Shall be 1/4" (6.4mm) thick acrylic plastic, lightweight and highly shock resistant. Image quality: Very Good
L (1)	Mirror is fabricated with an interlayer of 1/32" (.8mm) thick vinyl bonded between two 1/8" (3mm) thick sheets of № 1 quality polished plate glass with back silver coated and hermetically sealed with a uniform coating of electrolytic copper plating. Back of mirror is finished and protected with a thick coat of heavy-duty waterproof paint. Laminated glass meets the performance criteria of Federal Spec. № DD-M-451 and ANSI Z87.1 specifications and complies with CPSC standards 16 CR 1201 (1) 11. Image quality: Excellent

### NOTES

1. Glazing types indicated are particularly suited to applications where frequent breakage and/or security problems exist. These surfaces are best specified for use in prisons, schools, police stations, hospital wards, etc., where shards of broken glass might possibly be used as weapons.
2. The reflective quality of these mirror types is not as true as plate glass.
3. ASI will not accept returns of these mirror types based upon claims of distortion in reflective properties.