



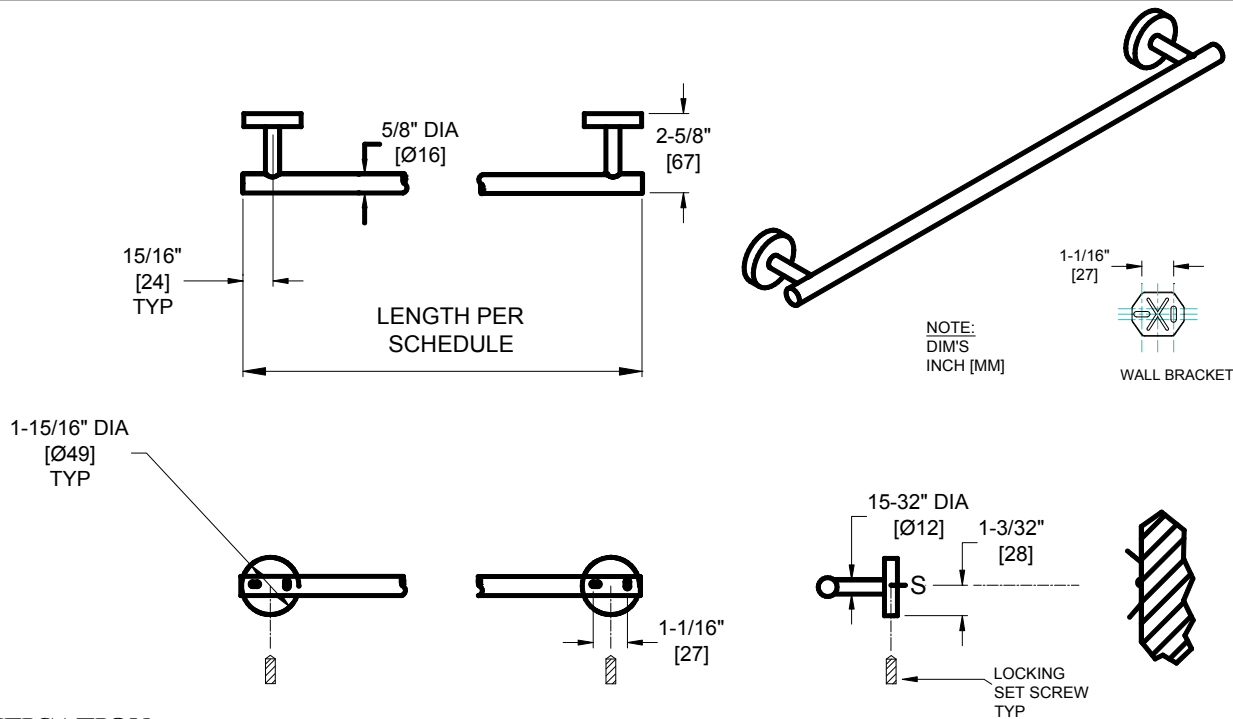
AMERICAN SPECIALTIES, INC.
 441 Saw Mill River Road, NY 10701
 (914) 476.9000 • (914) 476.0688
 www.americanspecialties.com

MODEL №: 7307

ISSUED: 05/13

REVISED: 12 Sept 2013

ROUND TOWEL BAR



SPECIFICATION

Omara Collection Round Towel Bar shall be fabricated of type 304 stainless steel alloy 18-8. Wall flanges shall lock to wall brackets with stainless steel M5 hex socket set screws concealed on bottom perimeter of flanges. Towel Bar shall be 20 gauge tubing with welded closed and finished ground ends. Posts shall be 22 gauge tubing with formed 18 gauge threaded brackets welded inside ends. Flanges shall be 1/16" (1.5) thick with 3/32" (2.3) thick sides and heavy reinforcement ribs. Posts shall be bolted to flanges with concealed and locked M6 (Ø1/4") screws. All exposed surfaces shall have satin finish. Wall brackets shall be 18 gauge with embossed ribs for added strength and shall have two (2) mounting slots to accommodate M4 pan head screws (provided) and allow slight installation alignment adjustment. Hex L-key (M2.5) is provided to lock set screws to secure unit to wall brackets. Length shall be as chosen from schedule and indicated by code suffix.

Round Towel Bar shall be Model № 7307-18 or № 7307-24 of American Specialties, Inc., 441 Saw Mill River Road, Yonkers, New York 10701-4913

INSTALLATION

Surface mount unit to finished wall or on door with four (4) M4 x 39 (№ 6 x 1-1/2") pan head self-tapping screws (provided) through holes provided in wall brackets into plastic wall anchors (provided) or other suitably prepared mountings (by others) or other suitable mounting hardware (by others) to suit wall conditions. Clip flanges onto wall brackets and tighten setscrews to lock them in place. For compliance with 2010 ADA Accessibility Standards install unit with top of towel rod 48" (1219) maximum above finished floor (MAX AFF) if clear floor reach is provided or 46" (1168) MAX AFF if side reach access over an obstruction (e.g. vanity) with reach depth greater than 10" (254) and less than 25" (635) is only provided or 44" (1118) MAX AFF if forward reach over an obstruction (e.g. commode) with reach depth greater than 20" (508) and less than 25" (635) is only provided. For general utility install towel rod with centerline of mounting plates at 55" (1397) AFF.

LENGTHS x MODEL №	
LENGTH	Satin Finish Only
	MODEL №
18" (457)	7307-18
24" (610)	7307-24