



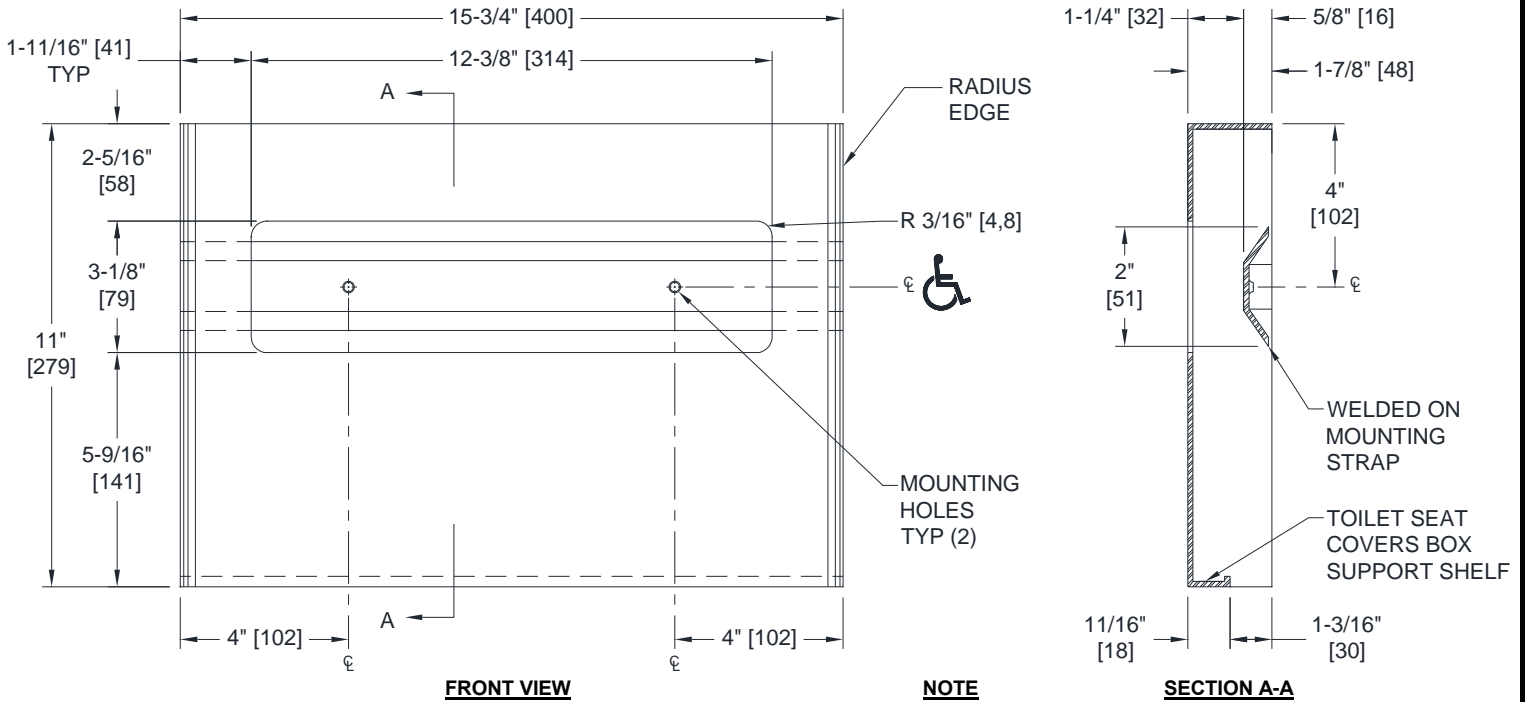
AMERICAN SPECIALTIES, INC.
 441 Saw Mill River Road, Yonkers, NY 10701
 (914) 476.9000 • (914) 476.0688
 www.americanspecialties.com

MODEL №: 9477-SM

ISSUED: JAN 1987

REVISED: 16 MAR 2022

PROFILE COLLECTION™ TOILET SEAT COVER DISPENSER - SURFACE MOUNTED



NOTE

ALL DIM'S INCH [MM]

ILLUSTRATION FOR REF ONLY AND NTS

FOR CLEANING INSTRUCTIONS SEE APPROPRIATE SECTIONS IN PRODUCT CARE & MAINTENANCE BULLETIN (PCM) ON ASI WEBSITE

SPECIFICATION

Profile Collection™ Surface Mounted Toilet Seat Cover Dispenser shall hold and dispense 250 standard single or half-fold paper toilet seat covers contained in supply box. Cabinet shall be 16 gage type 304 stainless steel alloy 18-8. All exposed surfaces shall have satin finish protected by PVC film easily removed after installation. Vertical edges shall be 3/4" [19] rounded. All four corners are welded and ground smooth with no open miters. Cover dispensing slot shall have a fully deburred flat edge for snag-free dispensing and user safety. Structural assembly of all components shall be of welded construction.

Profile Collection Surface Mounted Toilet Seat Cover Dispenser shall be Model № 9477-SM as manufactured by American Specialties, Inc., 441 Saw Mill River Road, Yonkers, NY 10701-4913

INSTALLATION

Surface mount unit on wall or partition using two (2) № 10 x 1-1/2" [Ø5 x 40] or length as appropriate for site conditions self-threading flat, oval or pan head screws (by others) into appropriate wall anchors or blocking (by others). Mounting holes are hidden behind dispenser box for vandal resistant locking but clearly accessible through dispenser slot for installation. For compliance with 2010 ADA Accessibility Standards, 2015 ABA Standards and ANSI 117.1 Standards install unit so that centerline of dispenser slot is 48" [1219] Maximum Above Finished Floor (AFF) if clear floor reach access only is provided or 46" [1168] Max AFF if side reach over an obstruction is only provided (i.e. water closet).

OPERATION

Covers are self-feeding until supply is depleted. Unit is manually reloaded with a full box through concealed access opening on schedule determined by maintenance requirements.