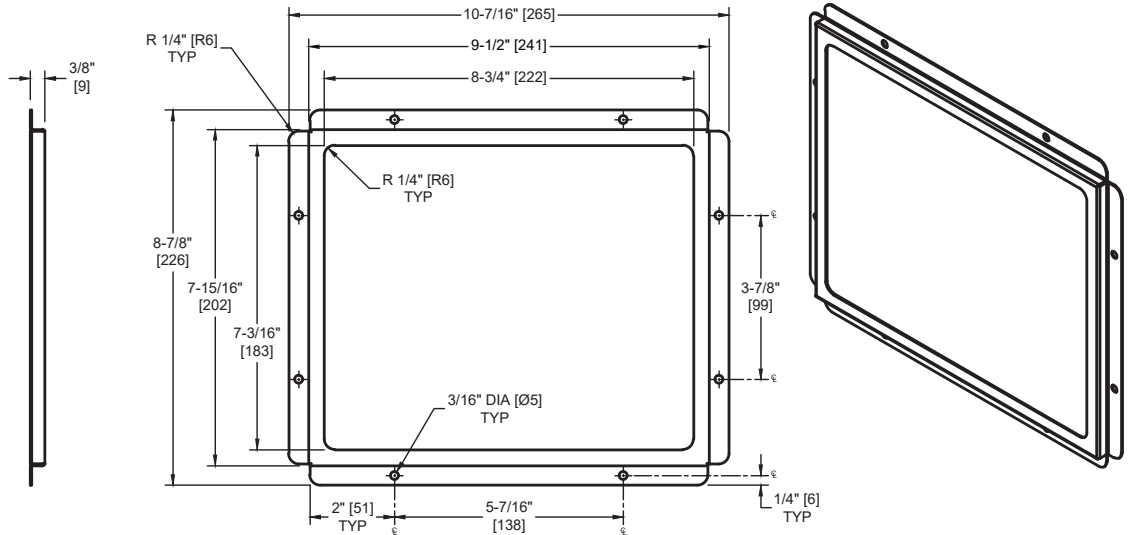


TRI-Umph™ Dryer Ceramic Backsplash

Hand Dryers

MasterFormat Section 10 28 13



Scan for Information



SUSTAINABILITY/LEED

NOTE:
ALL DIM'S INCH [MM]
ILLUSTRATION FOR REF ONLY AND NTS
FOR CLEANING INSTRUCTIONS SEE APPROPRIATE SECTIONS IN
PRODUCT CARE & MAINTENANCE BULLETIN (PCM) ON ASI WEBSITE

PRODUCT OVERVIEW

Made of proprietary absorptive-evaporative ceramic that matches the composition of the water droplet evaporator plate on the TRI-Umph™ hand dryer and has a black powder coated 20 gauge steel frame suitable for surface mounting with eight (8) screws (by others). The absorptive-evaporative plate is 9/32" (7.4 mm) thick and has a face finish of medium matte gray to match the TRI-Umph™ hand dryer. Frame is formed from one piece of steel and has no exposed seams or welded joints and has four (4) exposed mounting tabs formed from frame edges. Frame holds the plate on all edges and only the gray face is visible inside the black frame. Use with ASI Model #20200 TRI-Umph™ hand dryer. Plate absorbs water droplets that may blast past the absorptive-evaporative ceramic evaporator plate. Plate continuously evaporates water at a rate matching the absorption of castoff droplets from hand dryer usage. Water cast-off droplets absorbed and subsequently evaporated from plate are prevented from soaking into wall finish behind. Plate may be cleaned at the same time as the dryer unit following instructions found in the dryer Owner Manual. *Image includes Backsplash and Model #20200 TRI-Umph™ hand dryer. Product Model #A0247-TRBS does not include dryer.

KEY FEATURES & SPECIFICATIONS

- Absorbs water splashes behind the dryer.
- Prevents water from hitting the floor
- Ceramic plate with a metal frame
- Quick moisture absorption and evaporation
- Surface Mounted

OPERATION & MAINTENANCE

Plate absorbs water droplets that may blast past the absorptive-evaporative ceramic evaporator plate on ASI Model # 20200TRI-Umph™ hand dryer. Plate continuously evaporates water at a rate matching the absorption of castoff droplets from hand dryer usage. Water cast-off droplets absorbed and subsequently evaporated from plate are prevented from soaking into wall finish behind. Plate may be cleaned at the same time as the dryer unit following instructions found in the dryer Owner Manual.

TECHNICAL INFORMATION / PRODUCT PROPERTIES

Property	Value							
Dimensions	10-7/16" x 8-7/8" x 3/8" [265 x 226 x 9]							
Construction	Ceramic plate with a metal frame Quick moisture absorption and evaporation							
Mounting	Surface Mounted							
Electrical	N/A							
N/A	N/A	N/A	N/A	N/A	N/A	N/A	N/A	N/A
N/A	N/A	N/A	N/A	N/A	N/A	N/A	N/A	N/A

INSTALLATION

Mount unit on wall surface using eight (8) # 8 self-threading screws (by others) through exposed 3/16" diameter [4.8] mounting holes into appropriately prepared anchors (by others). Center the unit directly behind the hand chamber of ASI Model # 20200TRI-Umph™ hand dryer.

OPTIONS

N/A

WARRANTY

One (1) Year from date of Invoice