



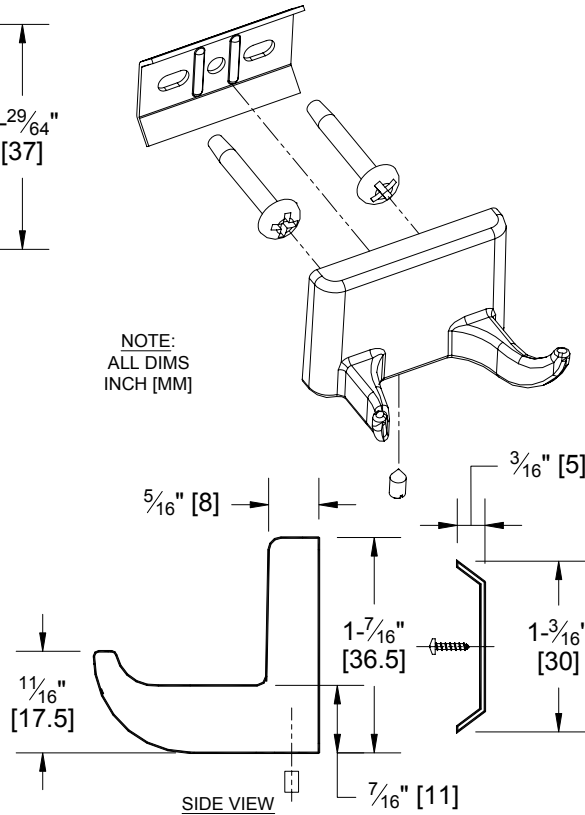
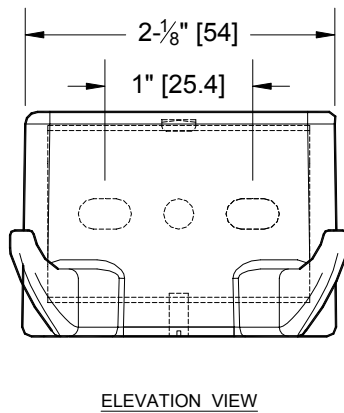
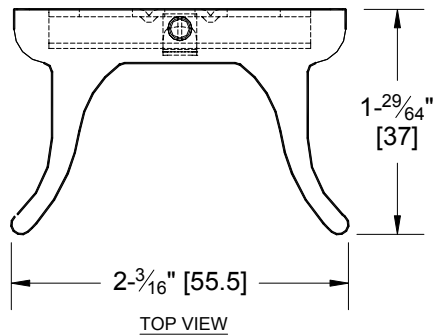
AMERICAN SPECIALTIES, INC.  
441 Saw Mill River Road, NY 10701  
(914) 476.9000 • (914) 476.0688  
www.americanspecialties.com

MODEL No: 0745-Z

ISSUED: 01/87

REVISED: 10/09

## DOUBLE ROBE HOOK



### SPECIFICATION

Surface Mounted Double Robe Hook shall be fabricated of triple chrome plated rust proof Zamak. One Stainless steel slotted set screw shall be provided along perimeter of flange for anchoring to stainless steel wall bracket. Wall bracket shall have two (2) vertical gussets embossed for strength.

**Surface Mounted Double Robe Hook shall be Model N<sup>o</sup> 0745-Z of American Specialties, Inc. 441 Saw Mill River Road Yonkers, New York 10701-4913**

### INSTALLATION

Wall bracket is surface mounted using #8 x 1-3/8" (M4x34) Phillips Flat Head screws (supplied). Hook is secured to bracket by tightening stainless steel slotted set screw. Typical mounting suggestion is 66" (1676) AFF (above finished floor). For compliance with ADA Accessibility Guidelines, install unit so that top of hook is 48" (1219) MAX AFF.